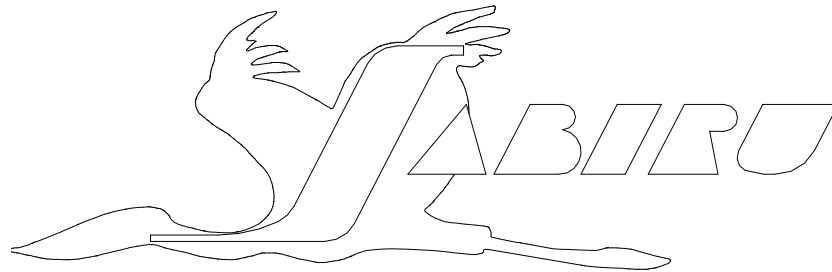


JABIRU ENGINE PARTS BOOK



2200 SERIES

From Serial Number 22A225

Jabiru Aircraft Pty Ltd ACN 010 910 077

PO Box 5186 Bundaberg

Australia 4670

Australia: Phone 07 4155 1778

Fax 07 4155 2669

International: Phone + 61 7 4155 1778

Fax + 61 7 4155 2669

Email: info@jabiru.net.au

Web: www.jabiru.net.au

June 2001

Jabiru 2200 Engine

Please fill in your engine and aircraft details for future reference.

Engine Serial #:

Aircraft Type:

Model:

Serial #:

Registration #:

Note:

1. Not all parts are illustrated
 2. Parts not serviced individually are noted as NSS
 3. All efforts are made to ensure accuracy at the time of publication, if you find any discrepancies, or have any questions about the contents of this publication please contact Jabiru Aircraft Pty Ltd.
 4. This parts listing is divided into sections A to P. The pages are identified with a letter for the section, followed by a page number for the section and another digit to indicate the issue level for that page only.
 5. All quantities are per engine unless stated otherwise.
 6. This Manual applies to Engines from Serial Number 22A225. For earlier engines serial numbers 22A001 – 22A224 refer to the appendix at the back, listing the differences for these engines. The appendix is to be read in conjunction with this engine parts book, as any sections which do not refer to a serial number range will apply to these engines also.
7. When ordering parts always quote engine serial number and any upgrades carried out on the engine, as well as item number, part number, description, section letter, page number and issue number. This complete information will ensure Jabiru Aircraft Pty Ltd supply the correct part.

Jabiru 2200 Engine

Engine Parts Catalogue Index

Section	Description
A	Cylinder Head
B	Crankcase Crankshaft and Camshaft
C	Conrod Piston and Barrel
D	Valves Assembly
E	Lubrication System
F	Flywheel and Ignition
G	Induction System
H	Engine Mount and Fittings
I	Exhaust and Muffler
J	Gearbox Assembly
K	Starter Motor
L	Sump Dipstick and Breather
M	Rocker Lubrication and Venting
N	Carburettor Assembly
O	Miscellaneous Electrical
P	Air Cooling Ducts

Appendix for engines up to 22A224

Jabiru 2200 Engine

Section A: CYLINDER HEAD

ITEM	PART #	ISS	DESCRIPTION	QTY	
1	4633074	2	TUBE PUSH ROD COVER	8	
2	PG10042N		'O'RING BS114V	16	
3	PH0666N	1	WASHER BELLEVILLE	24	
	452318N	1	WASHER 3 X 16 Dia.	20	
4	PH72C24		CAP SCREW 1 1/2 X 5/16 UNF	16 or 20	
	PH0830N		BOLT 3 X 5/16 UNF	8 or 4	
5	4577062	6	HEAD (#1 & #4)	2	NSS
	457806N	6	HEAD (#2 & #3)	2	NSS
	PH9852N		PLUG 1/8 NPT	4	
6	PI10582N		SPARK PLUG	8	
7	PG0168N	1	'O'RING BS237V	4	
8	4641084	2	ROCKER COVER	4	
9	PH72624		CAP SCREW 5/8 X 1/4 UNC	16	
	AN960-416		WASHER	16	
10	4590074	4	VALVE GUIDE	8	
11	PH0515N		CIRCLIP (20 INT)	8	
12	4659084	2	VALVE SEAT INSERT INLET	4	
	4660084	2	VALVE SEAT INSERT EXHAUST	4	
13	4747094	4	WASHER BETWEEN PORTS	4	
14	4686084	3	LUBE TUBE 30.5 LONG	4	
	468618N	3	LUBE TUBE 40 LONG	4	

Cylinder Head Assemblies available incorporating :

Cylinder Head

Valve Guides

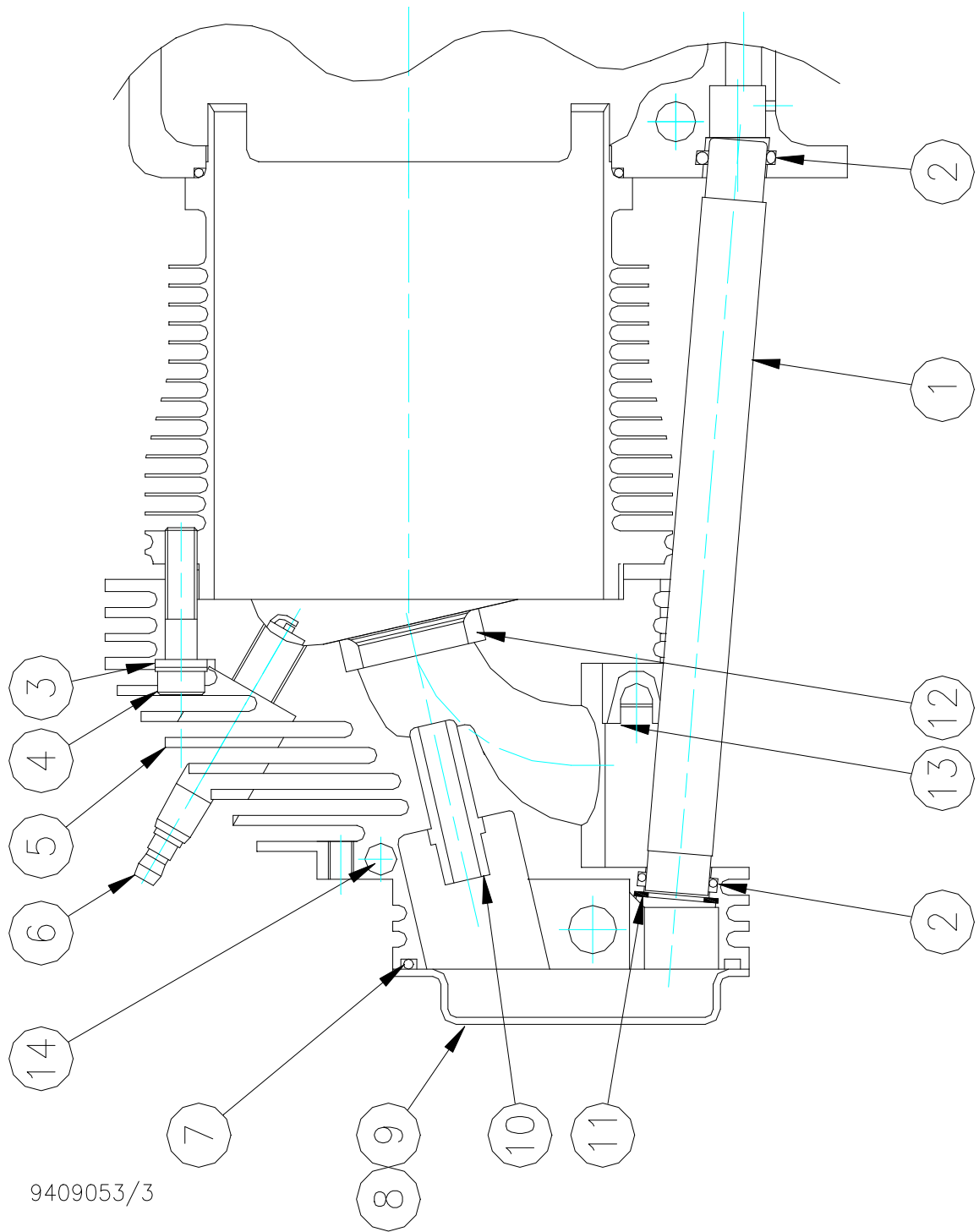
Valve Seat Inserts

Note: Oversize valve guides available, use std P/N & specify 0.05, 0.10, 0.15

Oversize. Identification is by 1, 2 or 3 dimples on exposed diameter when

Fitted to assembled head

Jabiru 2200 Engine



Jabiru 2200 Engine

Section A: CYLINDER HEAD

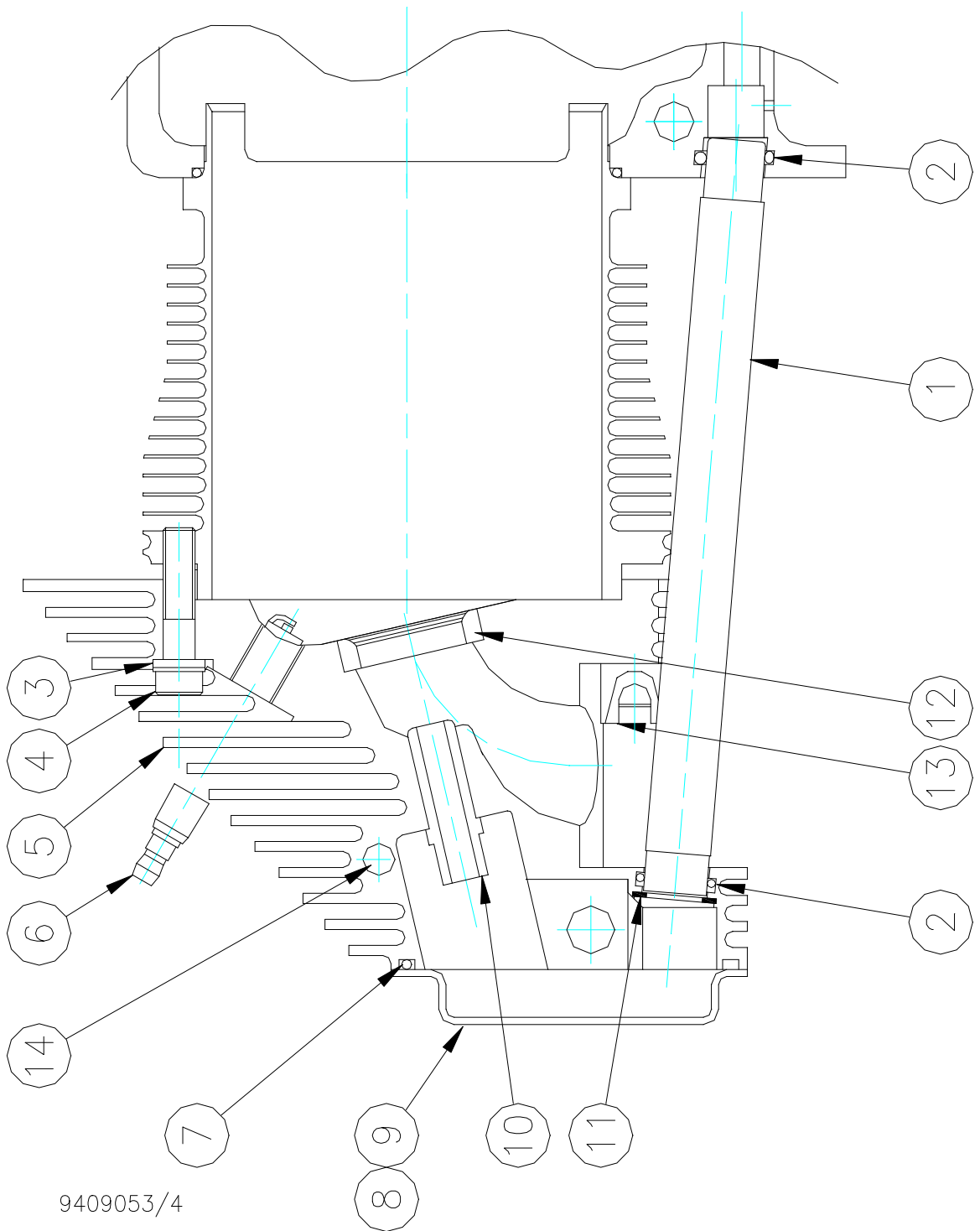
ITEM	PART #	ISS	DESCRIPTION	QTY	
1	4633074	2	TUBE PUSH ROD COVER	8	
2	PG10042N		'O'RING BS114V	16	
3	452329N	1	WASHER 3.5 X 19 Dia.	16	
	4523394	1	WASHER 3.5 X 20 Dia WITH FLAT	4	
4	PH72C24		CAP SCREW 1 1/2 X 5/16 UNF	20	
	PH0830N		BOLT 3 X 5/16 UNF	4	
5	4736092	6	HEAD EXTENDED FINS (#1 & #4) S/N 22A645-22A658	2	NSS
	473709N	6	HEAD EXTENDED FINS (#2 & #3) TO S/N 22A645-22A658	2	NSS
	4767092	2	HEAD EXT VALVE CTRS (#1 & #4) S/N 22A659-22A709	2	
	476809N	2	HEAD EXT VALVE CTRS (#2 & #3) TO S/N 22A659-22A709	2	
	PH9852N		PLUG 1/8 NPT	4	
6	PI10582N		SPARK PLUG	8	
7	PG0168N	1	'O'RING BS237V	4	
8	4641084	2	ROCKER COVER	4	
9	PH72624		CAP SCREW 5/8 X 1/4 UNC	16	
	AN960-416		WASHER	16	
10	4590074	4	VALVE GUIDE	8	
11	PH0515N		CIRCLIP (20 INT)	8	
12	4659084	2	VALVE SEAT INSERT INLET	4	
	4660084	2	VALVE SEAT INSERT EXHAUST	4	
13	4747094	4	WASHER BETWEEN PORTS	4	
14	4686084	3	LUBE PIPE 30.5 LONG	4	

Cylinder Head Assemblies available incorporating :
 Cylinder Head
 Valve Guides
 Valve Seat Inserts

Note: Oversize valve guides available, use std P/N & specify 0.05, 0.10, 0.15
 Oversize. Identification is by 1, 2 or 3 dimples on exposed diameter when
 Fitted to assembled head

From S/N 22A645 - 22A709

Jabiru 2200 Engine



Section A - 4 - 1

Jabiru 2200 Engine

Section A: CYLINDER HEAD

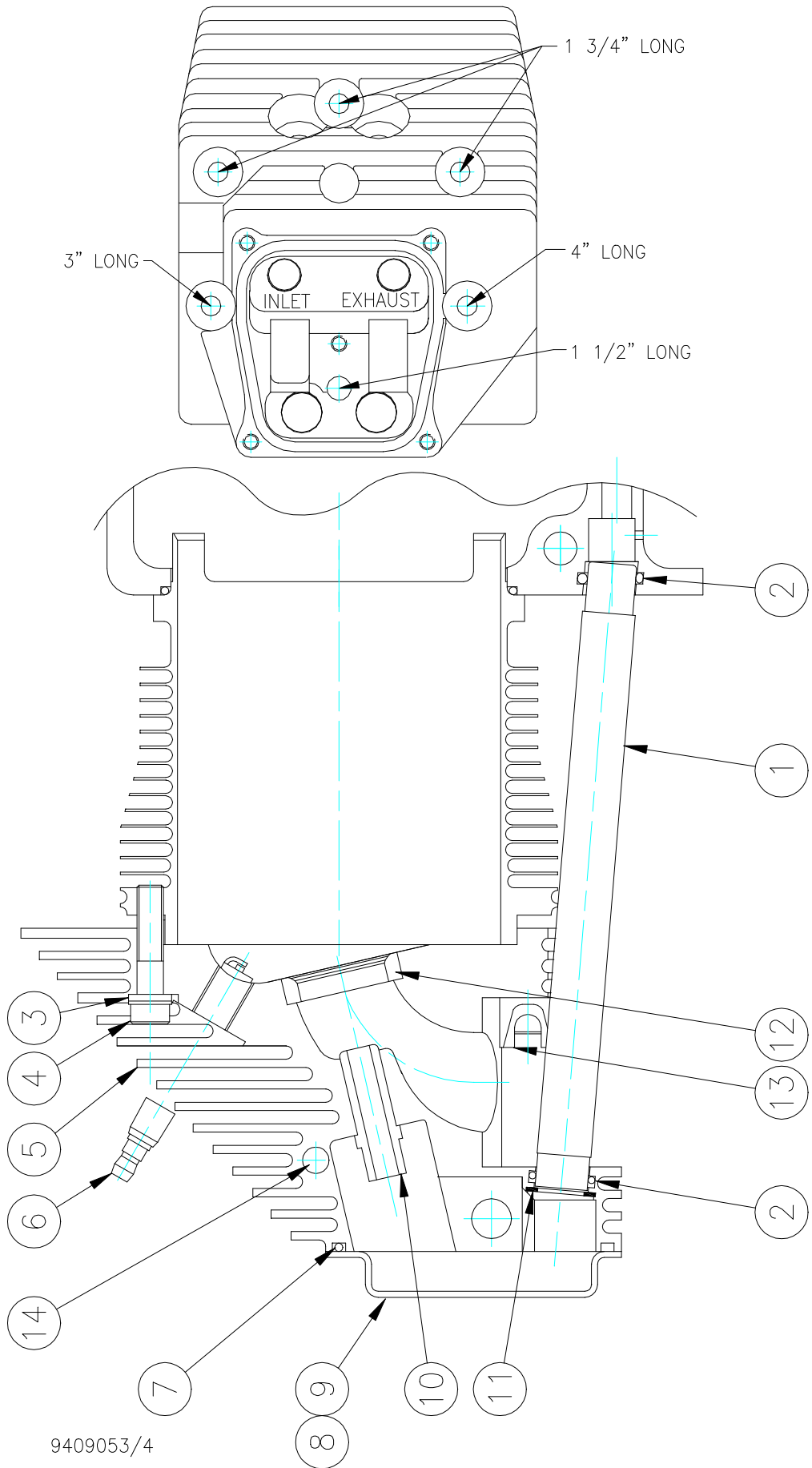
ITEM	PART #	ISS	DESCRIPTION	QTY	
1	4633074	2	TUBE PUSH ROD COVER	8	
2	PG10042N		'O'RING BS114V	16	
3	452329N	1	WASHER 3.5 X 19 Dia.	16	
	4788004	1	WASHER 3.5 X 19 Dia WITH FLAT	4	
4	PH72C24		CAP SCREW 1 1/2 X 5/16 UNF	4	
	PH0820N		CAP SCREW 1 3/4 X 5/16 UNF	12	
	PH0830N		BOLT 3 X 5/16 UNF	4	
	PH0840N		BOLT 4 X 5/16 UNF	4	
5	4779002	1	HEAD OFFSET FINS (#1 & #4) from S/N 22A710 to S/N 22A1003	2	NSS
	478000N	1	HEAD OFFSET FINS (#2 & #3) from S/N 22A710 to S/N 22A1003	2	NSS
	4901012	1	HEAD NEW CHAMBER (#1 & 4) from S/N 22A1004		NSS
	490201N		HEAD NEW CHAMBER (#2 & 3) from S/N 22A1004		NSS
	PH9852N		PLUG 1/8 NPT	4	
6	PI10582N		SPARK PLUG	8	
7	PG0168N	1	'O'RING BS237V	4	
8	4641084	2	ROCKER COVER	4	
9	PH72624		CAP SCREW 5/8 X 1/4 UNC	16	
	AN960-416		WASHER	16	
10	4590074	4	VALVE GUIDE	8	
11	PH0515N		CIRCLIP (20 INT)	8	
12	4659084	2	VALVE SEAT INSERT INLET	4	
	4660084	2	VALVE SEAT INSERT EXHAUST	4	
13	4747094	4	WASHER BETWEEN PORTS	4	
14	4686084	3	LUBE PIPE 30.5 LONG	4	

Cylinder Head Assemblies available incorporating :
 Cylinder Head
 Valve Guides
 Valve Seat Inserts

Note: Oversize valve guides available, use std P/N & specify 0.05, 0.10, 0.15 Oversize. Identification is by 1, 2 or 3 dimples on exposed diameter when Fitted to assembled head

From S/N 22A710

Jabiru 2200 Engine



Section A - 6 - 1

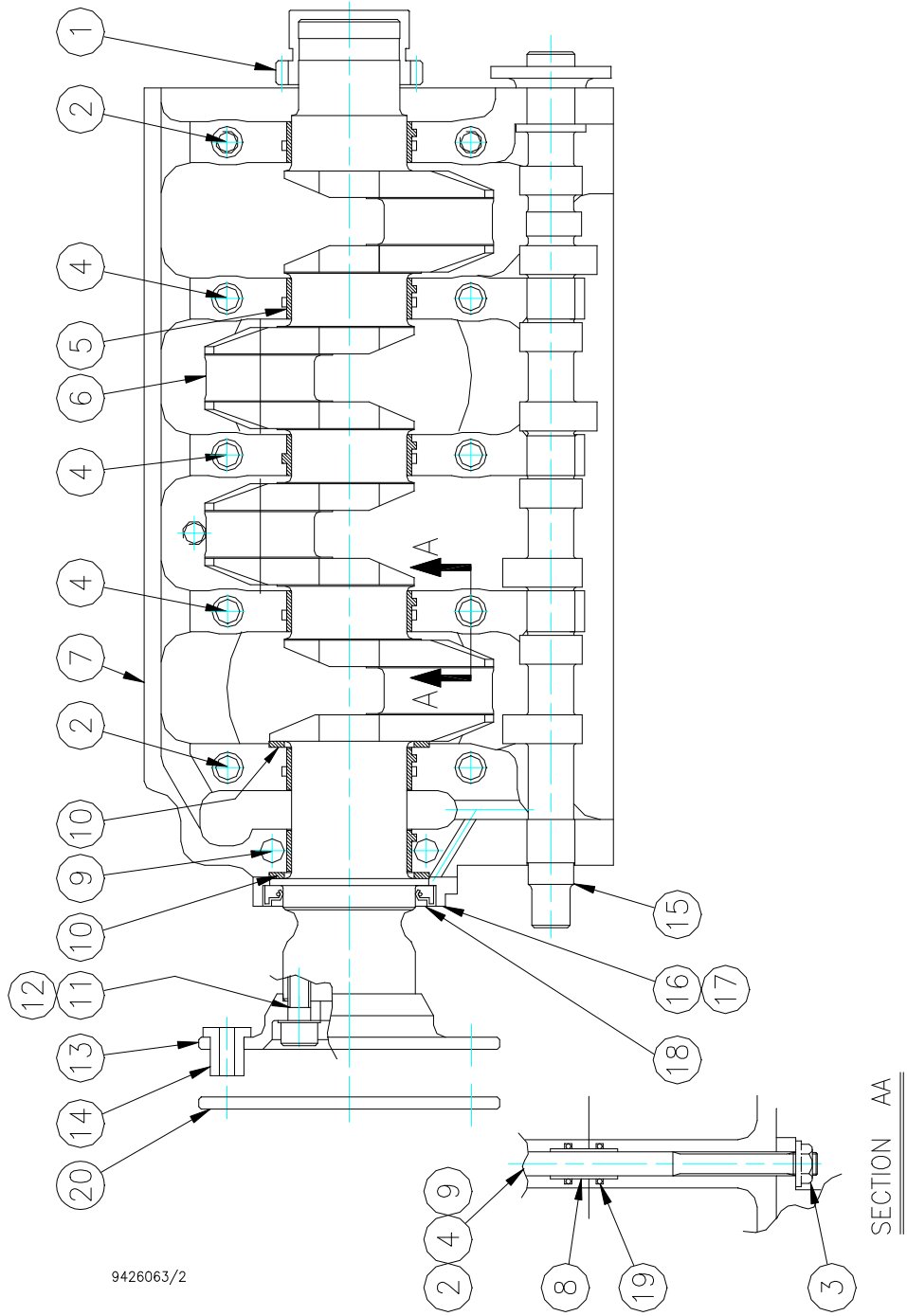
Jabiru 2200 Engine

Section B: CRANKSHAFT, CRANKCASE AND CAMSHAFT

ITEM	PART #	ISS	DESCRIPTION	QTY	
1	4066524	5	GEAR CRANKSHAFT ¼ to S/N 22A436	1	
	4643084	2	GEAR CRANKSHAFT 5/16 from S/N 22A437	1	
2	4292044	2	STUD SHORT	4	
3	MS21042-6	1	NUT CRANKCASE STUD	18	
4	4291044	2	STUD LONG	6	
5	PG0095N		BEARING SET MAIN	1	
6	4524062	3	CRANKSHAFT ¼ BOLTS to S/N 22A436	1	
	4644082	4	CRANKSHAFT 5/16 BOLTS from S/N22A437	1	
	PH9912N		WELSH PLUG 28 DIA	1	
	PH0646N		WELSH PLUG 7/8 DIA	1	
	PH0636N		GRUB SCREW 1/4 X 1/4 UNF	1	
7	4309052	9	CRANKCASE RS	1	NSS
	4308052	7	CRANKCASE LS	1	NSS
	PH9852N		PLUG 1/8 NPT	1	
8	4347054	6	DOWEL CRANKCASE	10	
9	4293044	2	STUD FRONT	2	
10	PB9942N		THRUST BEARING	2	
11	PH0676N		CAP SCREW 3/4 X 3/8 UNF	6	
12	PH0279N		WASHER	6	
13	4525064	6	FLANGE PROP MOUNT STANDARD	1	
	4610074		FLANGE PROP MOUNT 2" EXTENSION		
14	4688084	1	GUIDE PROP BOLT	6	
15	4279042	3	CAM SHAFT (cast steel)	1	
	4738092	3	CAM SHAFT (steel)		
	PH10012N		WELSH PLUG 10 DIA	1	
16	4282044	4	HOUSING FRONT OIL SEAL	1	
17	PH0535N		CAP SCREW 3/4 X 1/4UNC	4	
18	PG9872N		OIL SEAL	1	
19	PG0035N		'O'RING BS112V	10	
20	4081223	3	PLATE PROP MOUNT	1	
Front bed mount parts					
	4771093		FRONT BED MONT PLATE	1	
	PG98D2N		ROLL PIN	2	
	PH1011N		CAP SCREW 1 X 5/16 UNC	2	
	PH0666N		BELVILLE WASHERS	2	

Crankcase halves are not sold separately.

Jabiru 2200 Engine

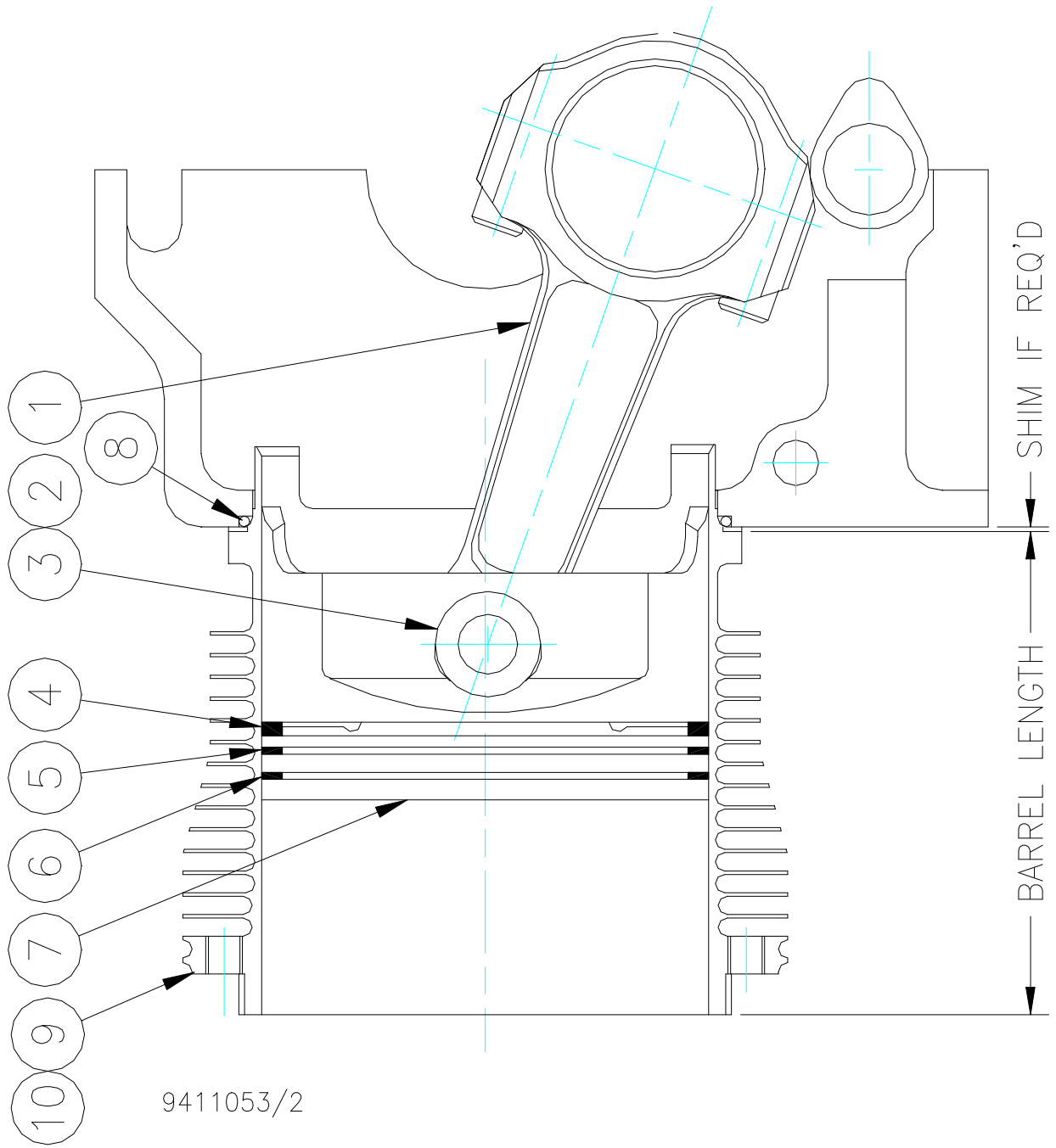


Jabiru 2200 Engine

Section C: CONROD PISTON AND BARREL

ITEM	PART #	ISS	DESCRIPTION	QTY	
1	4303054	1	CONNECTING ROD ASSY TO S/N22A436 CONSISTS OF :-	4	
	4304053	2	CONNECTING ROD ALUMINIUM	1	NSS
	4275044	2	CAP CONNECTING ROD STEEL	1	NSS
	PB0055N		BEARING	0.25	NSS
	PH67224	1	BOLT M8 X 40	2	
	PB0045N		DOWEL	2	
	4651084	1	CONNECTING ROD ASSY FROM S/N22A437 CONSISTS OF :-	4	
	4651183	2	CONNECTING ROD STEEL	1	NSS
	4651284	2	CAP CONNECTING ROD STEEL	1	NSS
	PB0055N		BEARING	0.25	NSS
	PH72E24	1	CAP SCREW 1 X 5/16 UNF	2	
	PB0045N		DOWEL	2	
2	4299054	4	GUDGEON PIN	4	
3	PG00454		CIRCLIP 23	8	
4	PG0055N		PISTON RING OIL SCRAPER	4	
5	PG0065N		PISTON RING #2	4	
6	PG0075N		PISTON RING #1	4	
	PG0085N		RING EXPANDER	8	
7	4685083	1	PISTON to S/N 22A1003	4	
	4891013	1	PISTON NEW CHAMMBER from 22A1004	4	
8	PG0025N		`O'RING BS155V	4	
9	4554062	5	BARREL 106.5 (Shoulder Length)	4	
			BARREL 106.0	4	
			BARREL 105.5	4	
	4807002	1	BARREL 107.0	4	
10	4679084	1	SHIM BARREL 0.5 THICK	AS REQ'D	
	467918N	1	SHIM BARREL 1.0 THICK	AS REQ'D	
	467928N	1	SHIM BARREL 1.5 THICK	AS REQ'D	

Jabiru 2200 Engine

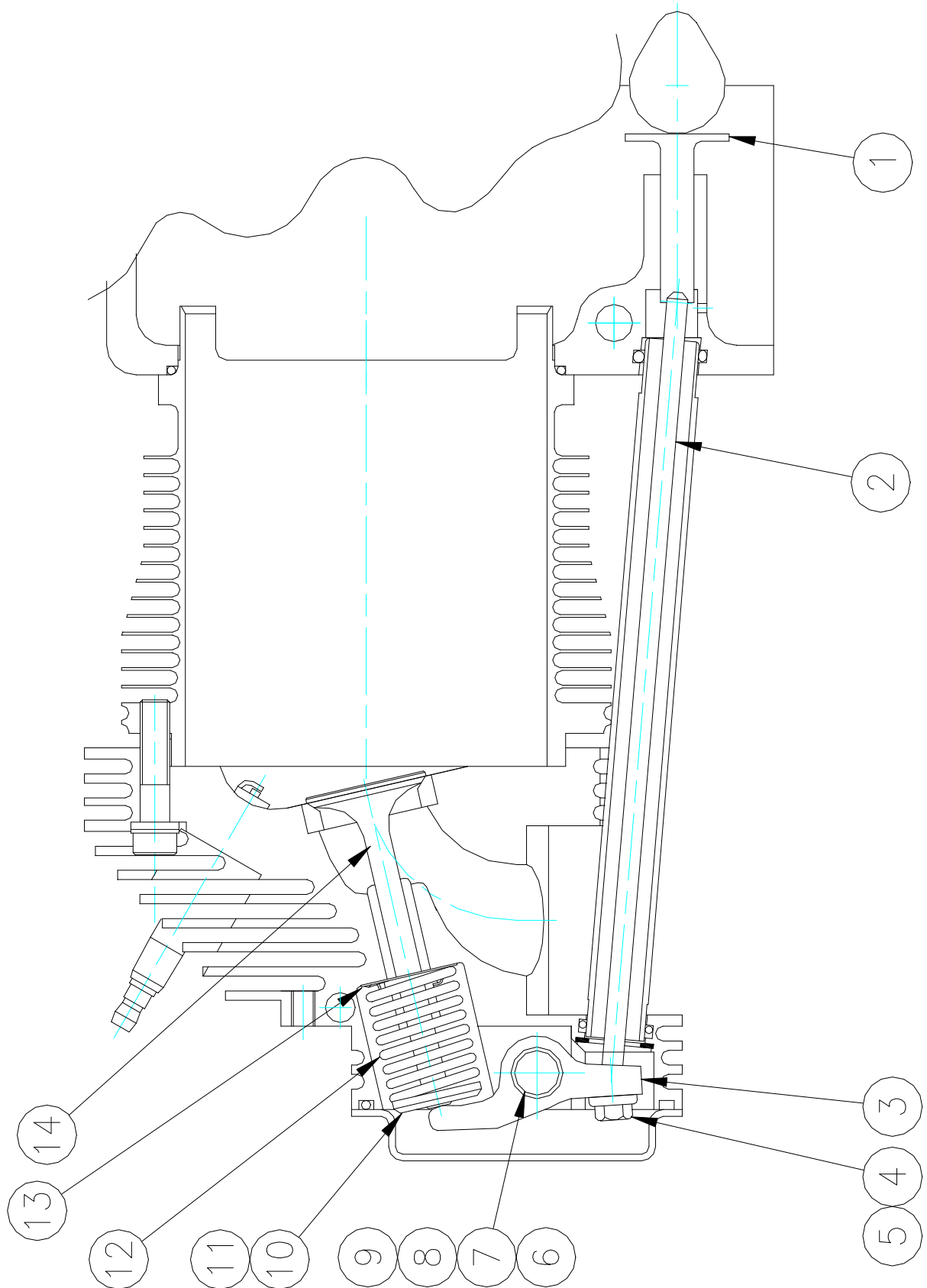


Jabiru 2200 Engine

Section D: VALVE ASSEMBLY

ITEM	PART #	ISS	DESCRIPTION	QTY
1	PG92324	1	VALVE LIFTER	8
2	4642084	2	PUSH ROD	8
3	4591074	2	ROCKER 12 WIDE #1 LS to S/N 22A307	4
	459207N	2	ROCKER 12 WIDE #1 RS to S/N 22A307	4
	4647084	1	ROCKER 15 WIDE #1 LS S/N22A308-658	4
	464808N	1	ROCKER 15 WIDE #1 RS S/N22A308-658	4
	4769094	1	ROCKER OFFSET #1 LS S/N 22A659 -	4
	477009N	1	ROCKER OFFSET #1 RS S/N 22A659 -	4
4	MS21042L6	1	LOCK NUT	8
5	4593074	3	ADJUSTING SCREW	8
6	4594074	2	ROCKER SHAFT	4
7	R59452		O'RING 12 dia	8
8	PB0035N		BUSH	8
9	PH0505N		CAP SCREW 1 X 1/4UNC	4
10	4604074	1	TOP SPRING WASHER	8
11	4605074	2	VALVE COLLET	16
12	PG71E24	1	VALVE SPRING	8
13	PG71C24	1	VALVE SPRING BOTTOM SEAT	8
14	4595074	1	INLET VALVE	4
	4596074	1	EXHAUST VALVE	4

Jabiru 2200 Engine



9412053/2

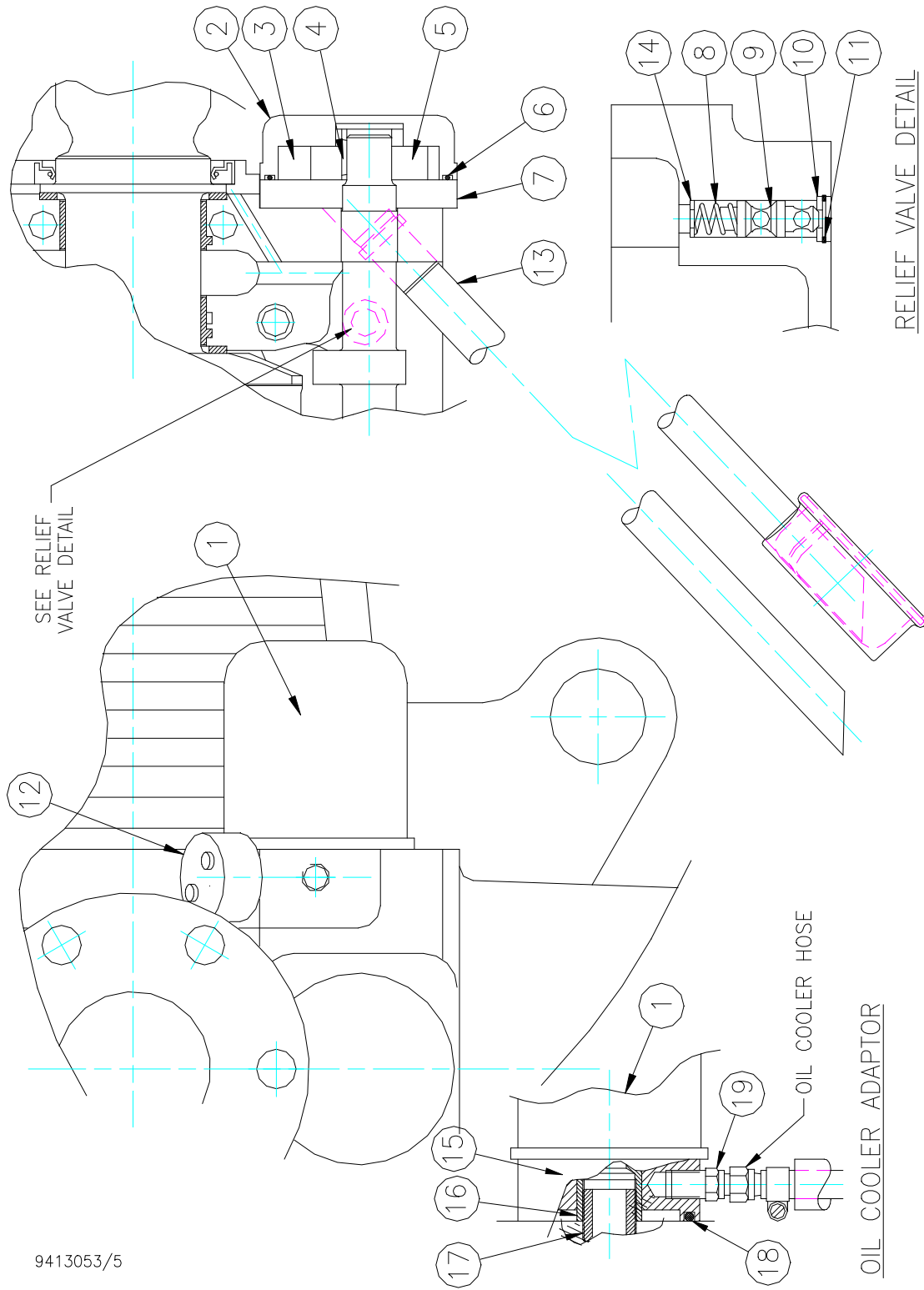
Section D - 2 - 2

Jabiru 2200 Engine

Section E: LUBRICATION SYSTEM

ITEM	PART #	ISS	DESCRIPTION	QTY	
1	PG10162N	1	OIL FILTER	1	
	4120534	2	FITTING - OIL FILTER	1	
2	4377054	1	OIL PUMP HOUSING	1	NSS
	PH0625N		CAP SCREW 1 1/4 X 5/16UNC	4	
3	437805N	1	OIL PUMP OUTER GEAR	1	NSS
4	PH115334	1	KEY WOODRUFF	1	
5	437905N	1	OIL PUMP INNER GEAR	1	NSS
6	PG10122N		'O'RING BS143V	1	
7	4280044	5	BACKING PLATE	1	
	PG0035N		`O'RING BS112V	1	
8	PX101324	1	SPRING PRESSURE RELIEF	1	
9	4536064	3	VALVE RELIEF	1	
10	PH06864	1	WASHER	1	
11	PH10142N		CIRCLIP	1	
12	PI10182N		OIL PRESSURE SENDER	1	
13	4639084	1	OIL PICKUP TUBE to S/N 22A325	1	
13	4649084	1	OIL PICKUP TUBE from S/N 22A326 to S/N 22A793	1	
13	4796004	1	OIL PICKUP & STRAINER from S/N 22A794	1	
			Consists of:		
	4796104	1	OIL PICKUP BODY	1	
	4796204	1	OIL PICKUP TUBE	1	
	4584364	2	MESH SCREEN OIL PICKUP	1	
	PG10042N		`O'RING	1	
14	AN960-416		WASHER (OPTION)	1	
15	4581064	5	ADAPTOR – OIL COOLER	1	
16	4580064	4	THREADED ADAPTOR	1	
17	4120534	2	FITTING	1	
18	PG0197N		'O'RING BS227V	1	
19	PZ0086N		HOSETAIL NIPPLE 1/8 NPT – 5/15	2	

Jabiru 2200 Engine

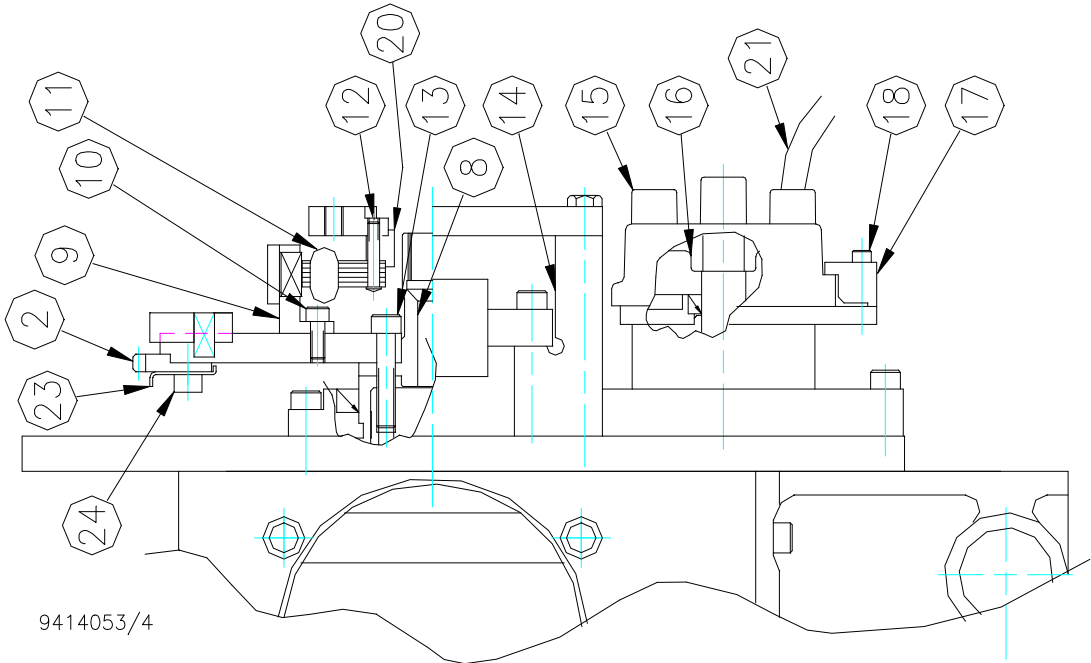
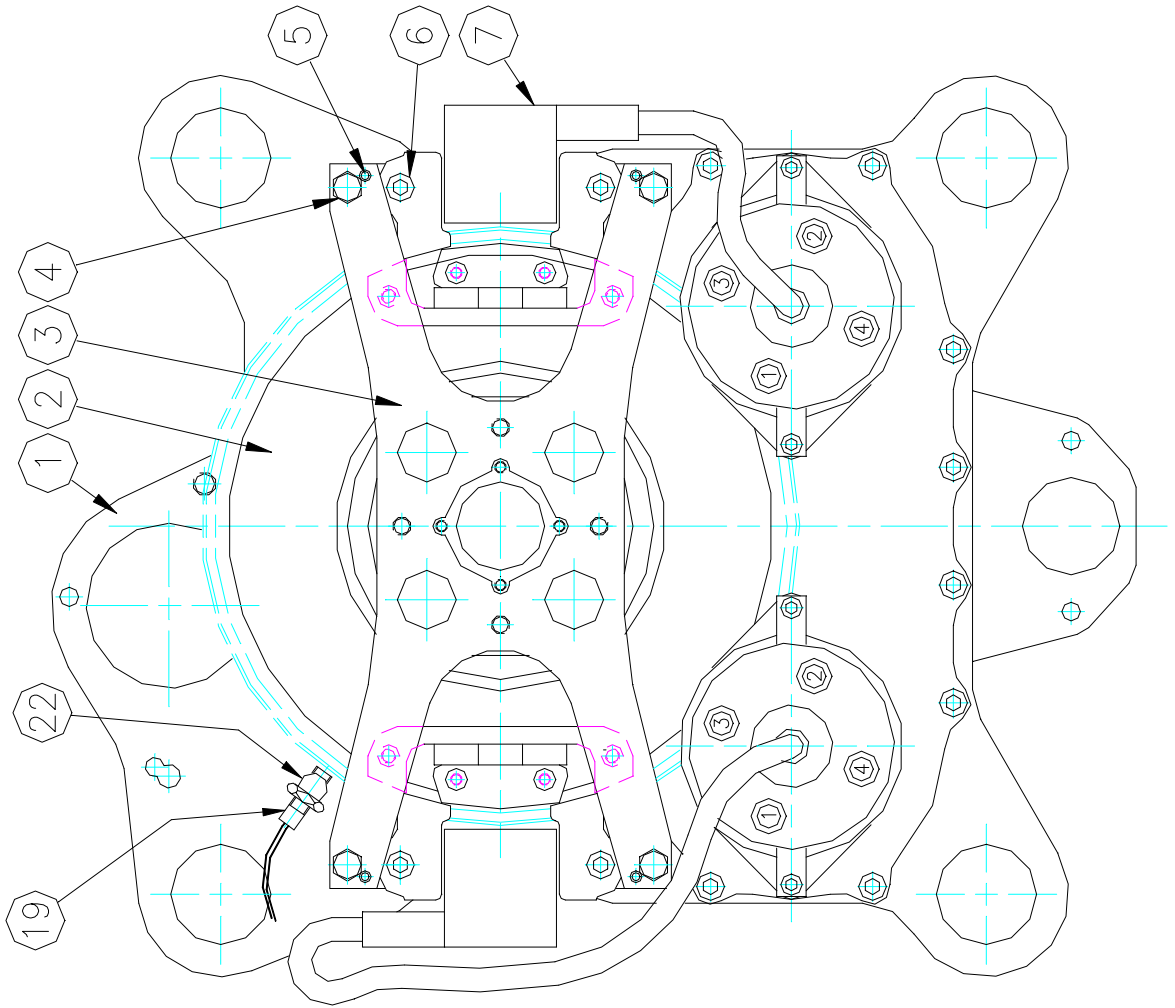


Jabiru 2200 Engine

Section F: FLYWHEEL & IGNITION SYSTEM

ITEM	PART #	ISS	DESCRIPTION	QTY	
1	4369053	4	REAR PLATE ENGINE MOUNT	1	
	4808004	1	PIN REWORKED DISTRIBUTOR LUBRICATION	2	
2	4391053	3	FLYWHEEL ASSY ¼ BOLT to S/N 22A436	1	
	4645083	1	FLYWHEEL ASSY 5/16 BOLT from S/N 22A437	1	
			CONSISTS OF :-		
		1	FLYWHEEL	1	
		5	POLE PLATE CENTRE	2	NSS
		4	POLE PLATE OUTER	2	NSS
		1	MAGNET	6	NSS
			C'SK SKT SCREW 1/2 X 1032	8	NSS
	4066423	6	RING GEAR	1	
3	4323053	3	ALTERNATOR MOUNT	1	NSS
4	AN4-37A		BOLT	4	
5	PG9862		ROLL PIN 5/32 X 3/8	8	
6	PH0505N		CAP SCREW 1 X 1/4UNC	4	
7	PII0522N	1	COIL - IGNITION	2	
8	4597074	1	SPACER & VAC DRV ¼ to S/N 22A436	1	
	4646084	1	SPACER & VAC DRV 5/16 from S/N 22A437		
9			ALTERNATOR BODY ASSY 8 POLE	1	
	4532064	2	ALTERNATOR BODY ASSY 10 POLE	1	
	PH10372N		ROLL PIN 5/8 X 1/8 DIA	4	
10	PH0696N		CAP SCREW 1/2 X 3/16 UNC	4	
11			STATOR ASSY 8 POLE	1	
	4535064	1	STATOR ASSY 10 POLE	1	
12	MS35206-248		SCREW 1" LONG	4	
13	PH115434		CAP SCREW 1 1/4 X ¼ UNF to S/N 22A436	6	
	PH0656N		CAP SCREW 1 1/4 X 5/16 UNF from S/N 22A437	6	
14	4368054	3	MOUNTING BLOCK COIL & REAR PLATE	4	
15	PII0642N		CAP DISTRIBUTOR	2	
16	PII0632N		ROTOR	2	
17	4096124	4	CLIP DISTRIBUTOR CAP	4	
18	PH72B24		CAP SCREW 1 1/4 X 3/16 UNC	4	
19	PI11763N		TACHO SENDER	1	
20	4318054	4	SPACER STATOR MOUNTING	1	
21	PI119034		HT LEAD KIT	1	
22	4389054	1	POST TACHO SENDER up to S/N 22A1003	1	
	4884014	1	POST TACHO SENDER from S/N 22A1004	1	
23	4885014	1	TACHO PICKUP from S/N 22A1004	2	
24	PH1021N		CAP SCREW ½ X ¼ UNC	6	

Jabiru 2200 Engine



9414053/4

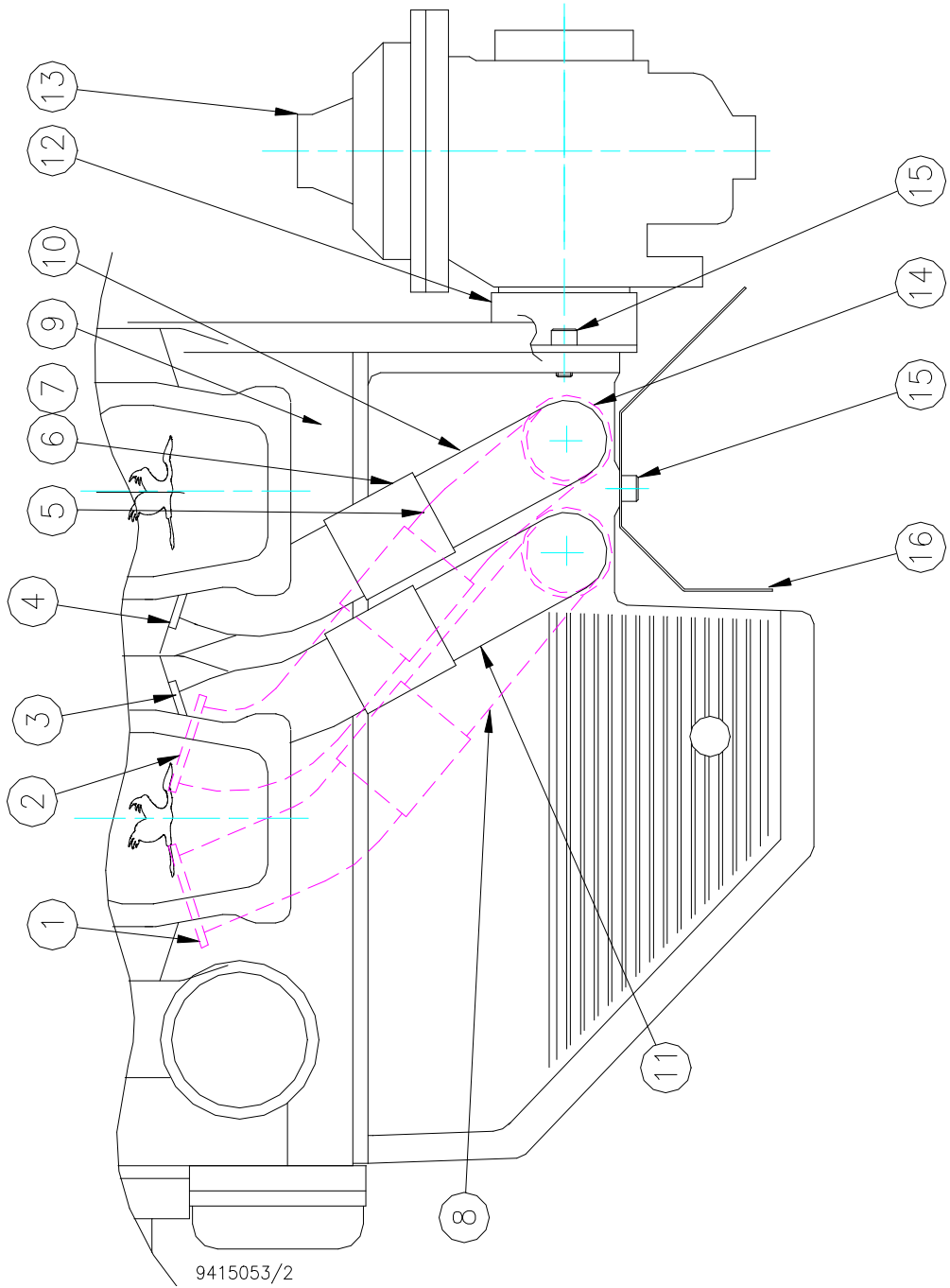
Jabiru 2200 Engine

Section G: INDUCTION SYSTEM

ITEM	PART #	ISS	DESCRIPTION	QTY
1	4711083	1	INDUCTION PIPE # 1 TOP	1
	4109824	2	GASKET	4
	PH0535N		CAP SCREW 3/4 X 1/4UNC	12
2	4715083	1	INDUCTION PIPE # 3 TOP	1
3	4713083	1	INDUCTION PIPE # 2 TOP	1
4	4717083	1	INDUCTION PIPE # 4 TOP	1
5	4716083	1	INDUCTION PIPE # 3 BOTTOM	1
6	PV102924	1	HOSE INDUCTION	4
7	PG102924		CLAMP	8
8	4712083	1	INDUCTION PIPE # 1 BOTTOM	1
9	PG10332N		FUEL PUMP (Not illustrated)	1
	PH0625N		CAP SCREW 1 1/4 X 5/16UNC	2
	4510054	4	PUSH ROD FUEL PUMP	1
	2650-8FG		FIRE SLEEVE	0.35
	PT0019N		FUEL HOSE	0.35
	PZ0059N		CLAMP	2
10	4718083	1	INDUCTION PIPE # 4 BOTTOM	1
11	4714083	1	INDUCTION PIPE # 2 BOTTOM	1
12	PG10412N		ADAPTOR FLANGE	1
13	4624074	2	CARBURETTOR ASSY 32 DIA	1
14	PG10212N		'O'RING BS124V	4
15	PH72624		CAP SCREW 5/8 X 1/4 UNC	4
16	4573064	3	HEAT SHIELD	1

Up to S/N 22A698

Jabiru 2200 Engine



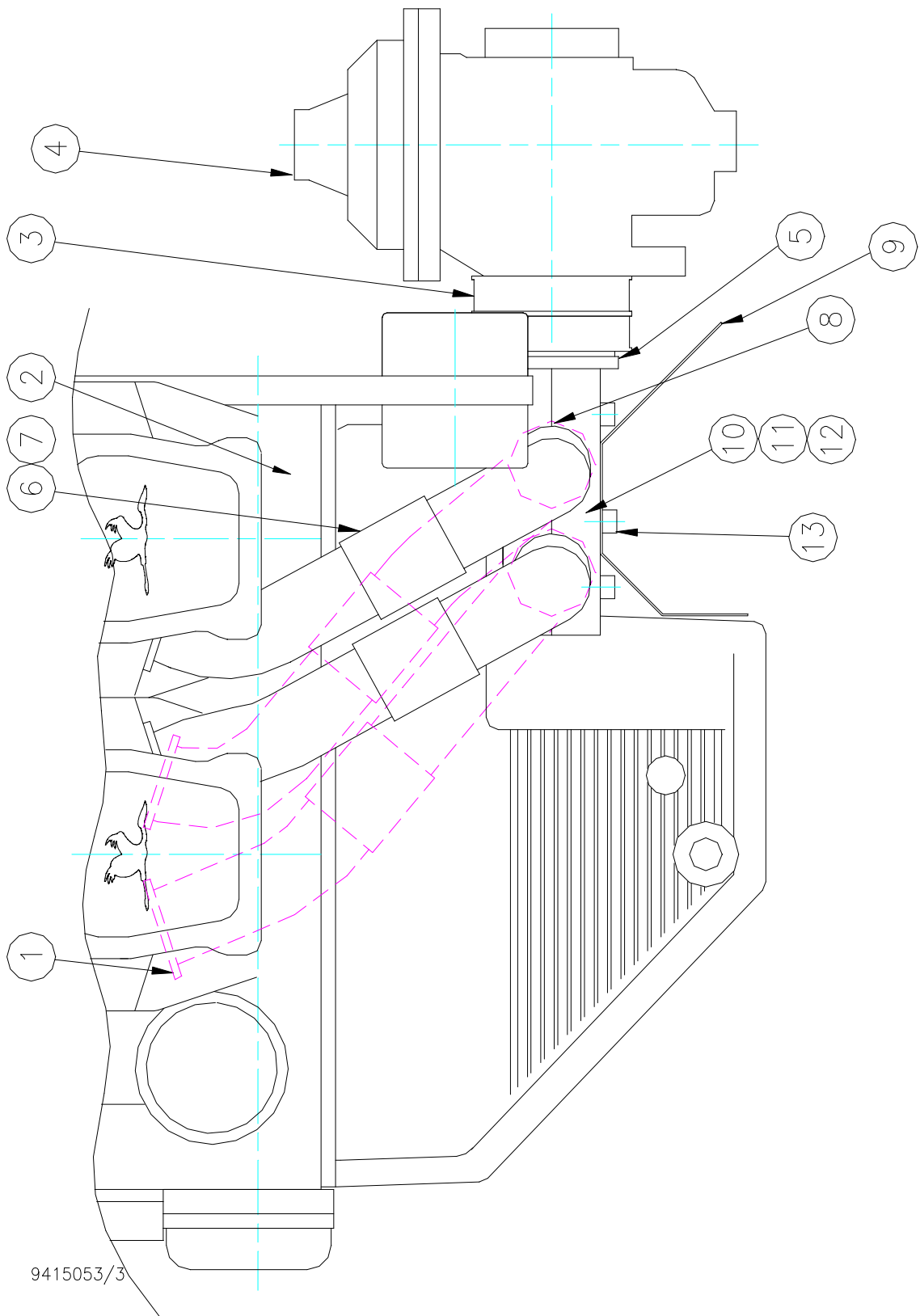
Jabiru 2200 Engine

Section G: INDUCTION SYSTEM

ITEM	PART #	ISS	DESCRIPTION	QTY
1	481000N	1	INDUCTION PIPE SET	1
	4109824	2	GASKET	4
	PH0535N		CAP SCREW 3/4 X 1/4UNC	12
2	PG10332N		FUEL PUMP (Not illustrated)	1
	PH0625N		CAP SCREW 1 1/4 X 5/16UNC	2
	4510054	4	PUSH ROD FUEL PUMP	1
	2650-8FG		FIRE SLEEVE	0.35
	PT0019N		FUEL HOSE	0.35
	PZ0059N		CLAMP	2
3	4691084	1	RUBBER COUPLING	1
4	4886014	1	CARBY ASSY 40 DIA	1
5	4774094	1	ADAPTOR CARBY COUPLING	1
6	PV102924	1	HOSE INDUCTION	4
7	PG102924		CLAMP	8
8	PG10212N		'O'RING BS124V	4
9	4573064	3	HEAT SHIELD	1
10	4775093	4	INDUCTION BODY	1
11	4793003	2	INDUCTION BODY W/O DIFFUSER HOLE	1
12	4791504	2	DIFFUSER INDUCTION BODY	1
13			CAP SCREW 2 1/4 X 1/4 UNC	5

From S/N 22A699 on

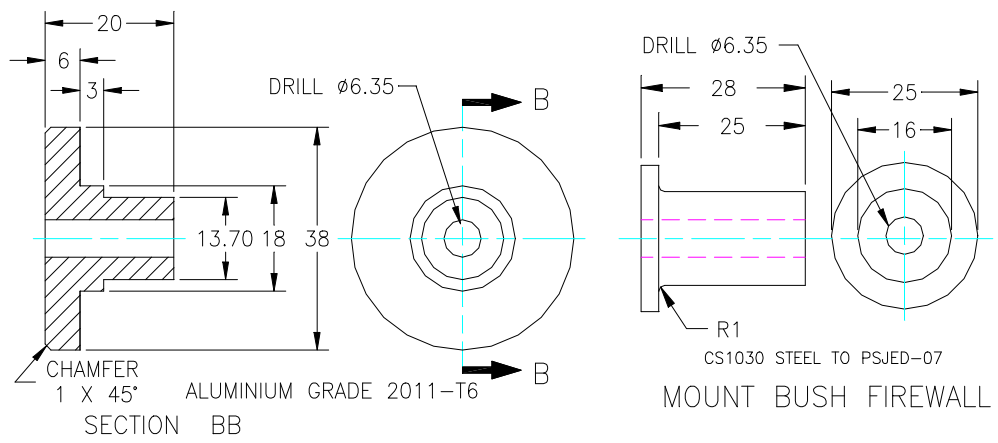
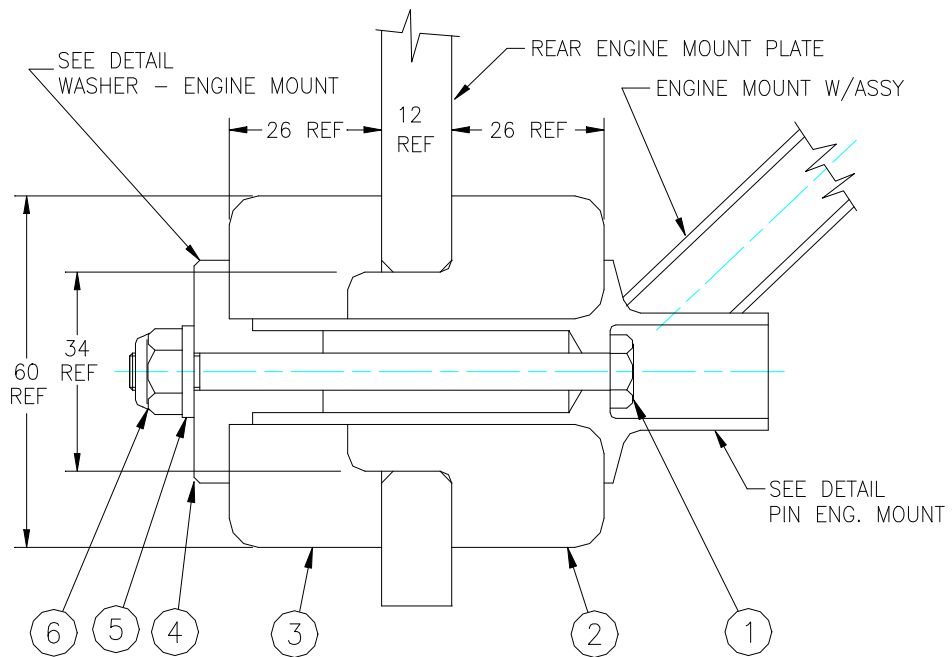
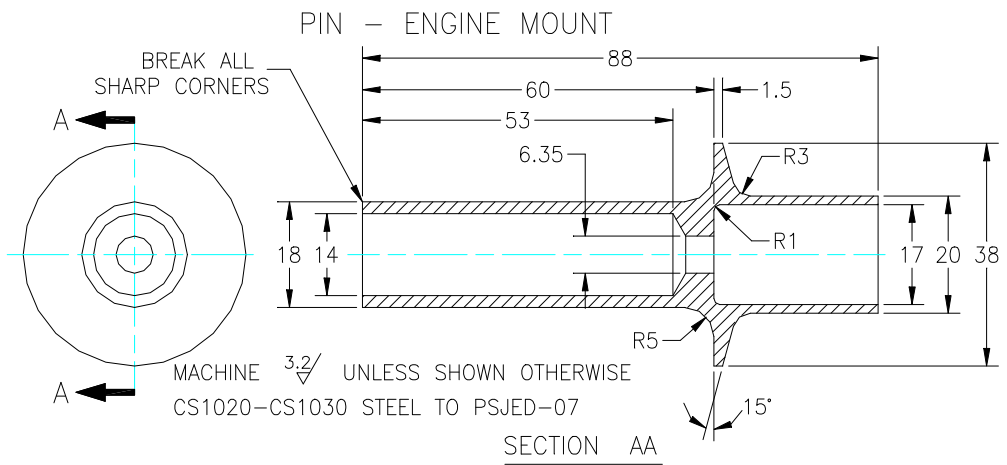
Jabiru 2200 Engine



Section H: ENGINE MOUNT ASSEMBLY

ITEM	PART #	ISS	DESCRIPTION	QTY
1	AN4-31A		BOLT	4
2	PG10712N		CUSHION MOUNT FEMALE	4
3	PG10722N		CUSHION MOUNT MALE	4
4	4094224	2	WASHER ENGINE MOUNT	4
5	AN960-416		WASHER	4
6	MS21042-4		NUT	4

Jabiru 2200 Engine



WASHER - ENGINE MOUNT

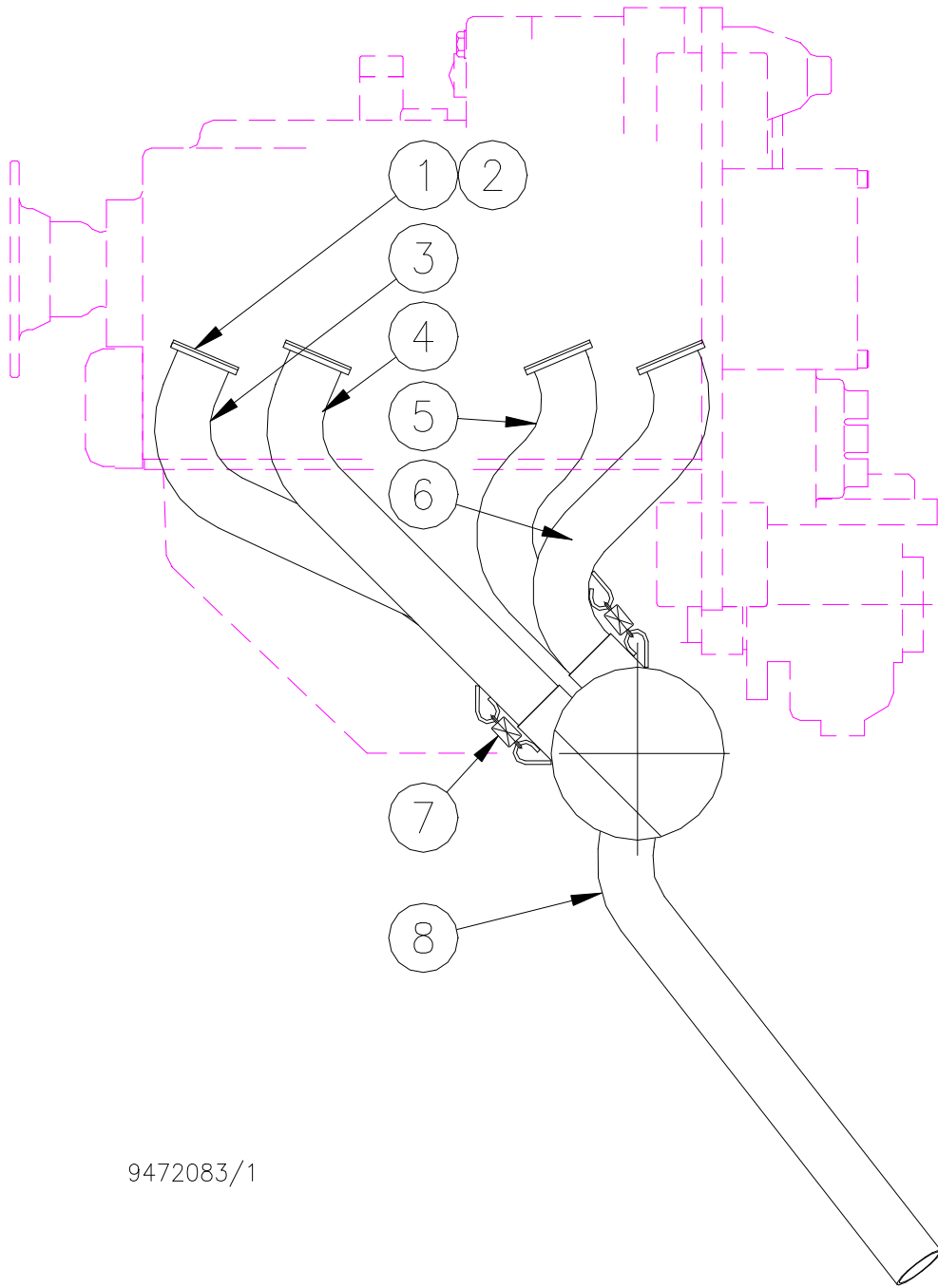
9467073/1

Section I: EXHAUST & MUFFLER - TRACTOR

ITEM	PART #	ISS	DESCRIPTION	QTY	
1	466918N	1	FLANGE EXHAUST PIPE	4	NSS
2	4103224	2	GASKET EXHAUST PIPE	4	
	PH72624		CAP SCREW 5/8 X 1/4 UNC	12	
3	4669083	1	EXHAUST PIPE #1	1	
4	4670083	1	EXHAUST PIPE #2	1	
5	4671083	1	EXHAUST PIPE #3	1	
6	4672083	1	EXHAUST PIPE #4	1	
7	PE01094	1	SPRING EXHAUST	4	
8	4504053	1	MUFFLER ASSY	1	

From 22A225 ON

Jabiru 2200 Engine



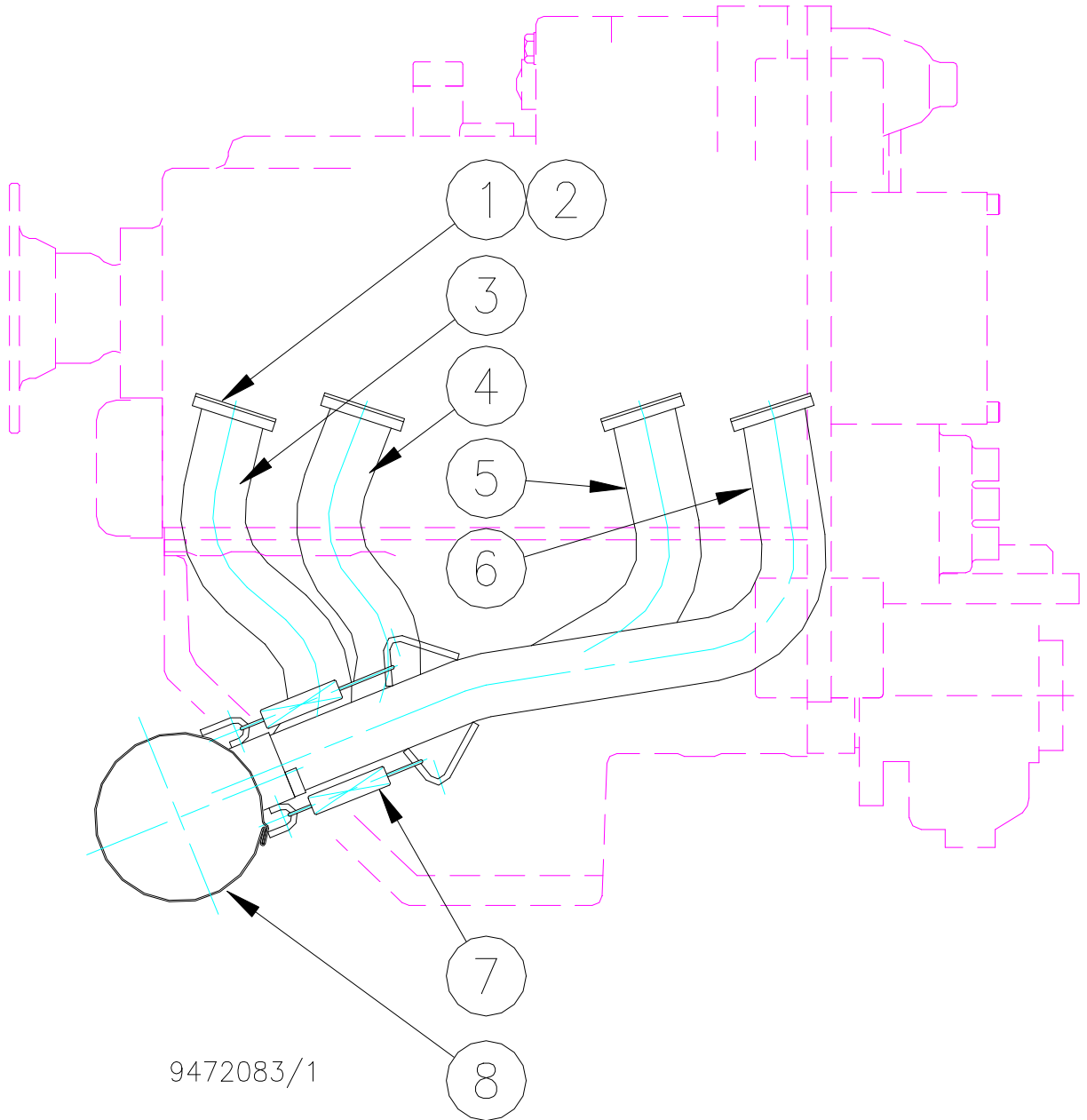
9472083/1

Section I: EXHAUST & MUFFLER – PUSHER

ITEM	PART #	ISS	DESCRIPTION	QTY	
1	466918N	1	FLANGE EXHAUST PIPE	4	NSS
2	4103224	2	GASKET EXHAUST PIPE	4	
	PH72624		CAP SCREW 5/8 X 1/4 UNC	12	
3	4742093	1	EXHAUST PIPE #1	1	
4	4743093	1	EXHAUST PIPE #2	1	
5	4744093	1	EXHAUST PIPE #3	1	
6	4745093	1	EXHAUST PIPE #4	1	
7	PE01094	1	SPRING EXHAUST	4	
8	4739093	1	MUFFLER ASSY	1	

PUSHER MUFFLER OPTION S/N VARIOUS

Jabiru 2200 Engine



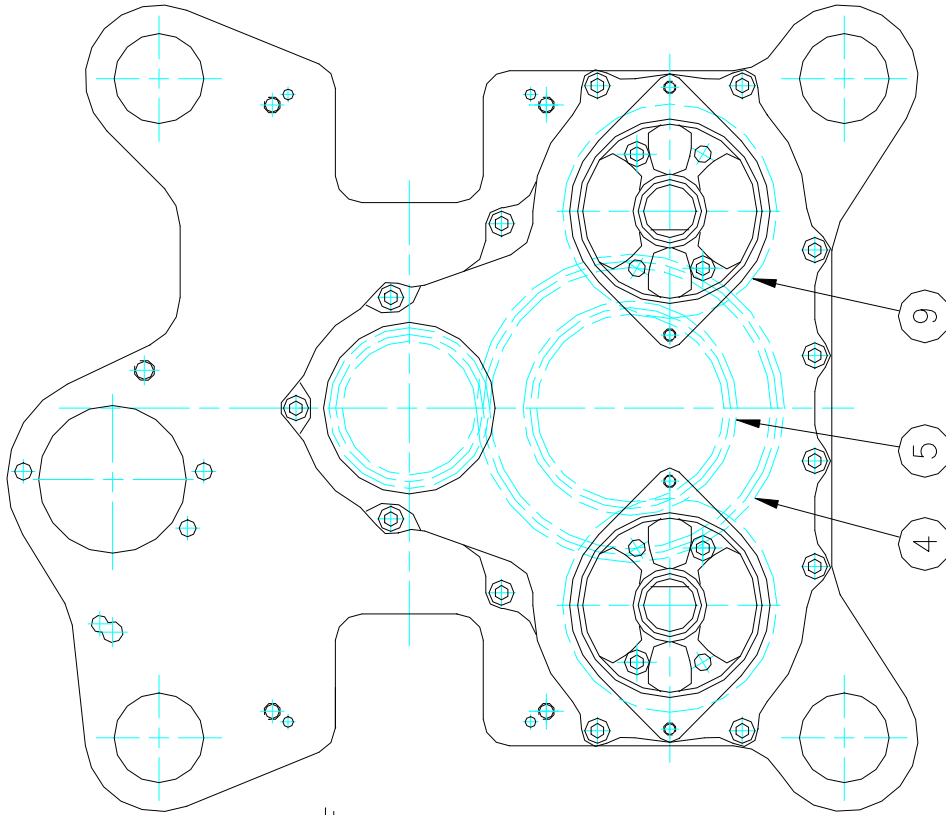
9472083/1

Jabiru 2200 Engine

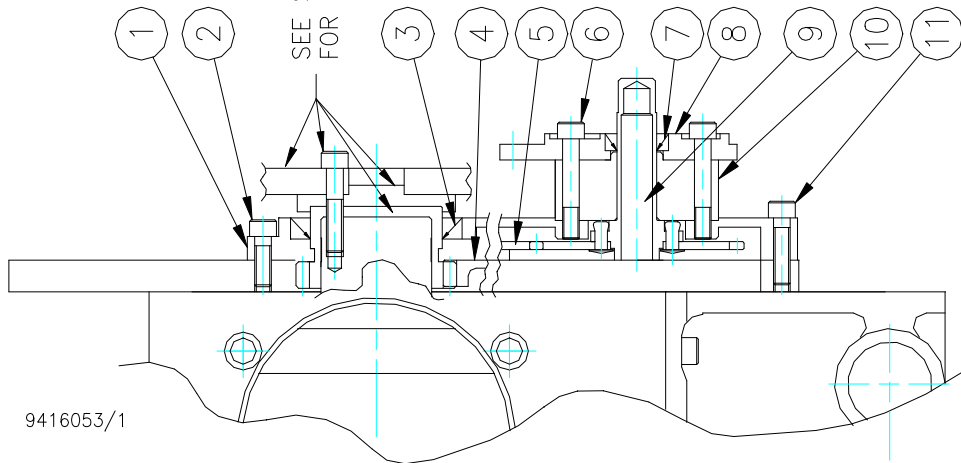
Section J: GEARBOX ASSEMBLY

ITEM	PART #	ISS	DESCRIPTION	QTY	
1	4631073	2	GEAR HOUSING	1	
2	PH0535N		CAP SCREW 3/4 X 1/4UNC	3	
3	PG10612N		SEAL REAR	1	
4	4066123	4	GEAR INNER CAMSHAFT	1	
5	4333054	3	GEAR OUTER CAMSHAFT	1	
	PH100224		BOLT AN4H6A	4	
	4538064	2	SPACER CAM TIMING GEARS	1	
6	PH0595N		CAP SCREW 1 1/2 X 1/4UNC	4	
7	PG10622N		SEAL 15 X 24 X 7	2	
8	4334054	3	DISTRIBUTOR CAP MOUNTING PLATE	2	
9	4332054	1	DISTRIBUTOR DRIVE SHAFT ASSY	2	
	CONSISTS OF:				
	4332154	4	DISTRIBUTOR DRIVE SHAFT	1	NSS
	4333054	3	DISTRIBUTOR DRIVE GEAR	1	NSS
	PH0736N		RIVET	4	NSS
10	4632074	3	SPACER DISTRIBUTOR MOUNTING	2	
11	PH0505N		CAP SCREW 1 X 1/4UNC	8	
12	PH0595N		CAP SCREW 1 1/2 X 1/4UNC	2	

Jabiru 2200 Engine



SEE SECTION B & F
FOR DETAILS



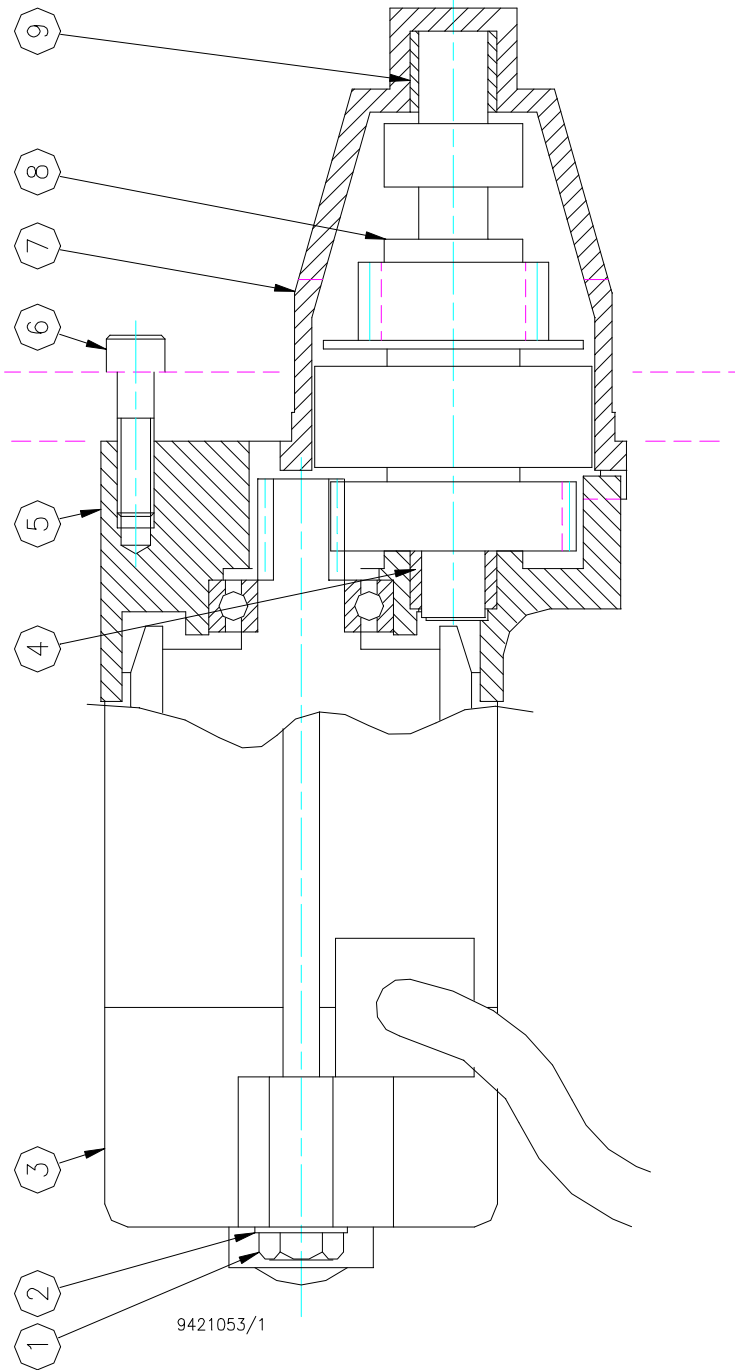
9416053/1

Section K: STARTER MOTOR

ITEM	PART #	ISS	DESCRIPTION	QTY
1	AN4-53A		BOLT	2
2	AN960-416		WASHER	2
3	4505053	1	STARTER MOTOR REWORKED	1
4	4063324	4	BUSH INNER STARTER	1
5	4372153	3	HOUSING STARTER MOTOR	1
6	PH0505N		CAP SCREW 1/4 UNC X 1	3
7	4372253	4	CLUTCH HOUSING STARTER	1
8	PM6352N		STARTER CLUTCH	1
9	4063224	3	BUSH OUTER - STARTER	1

From S/N 22A001 – 22A659

Jabiru 2200 Engine



Section K - 2 - 1

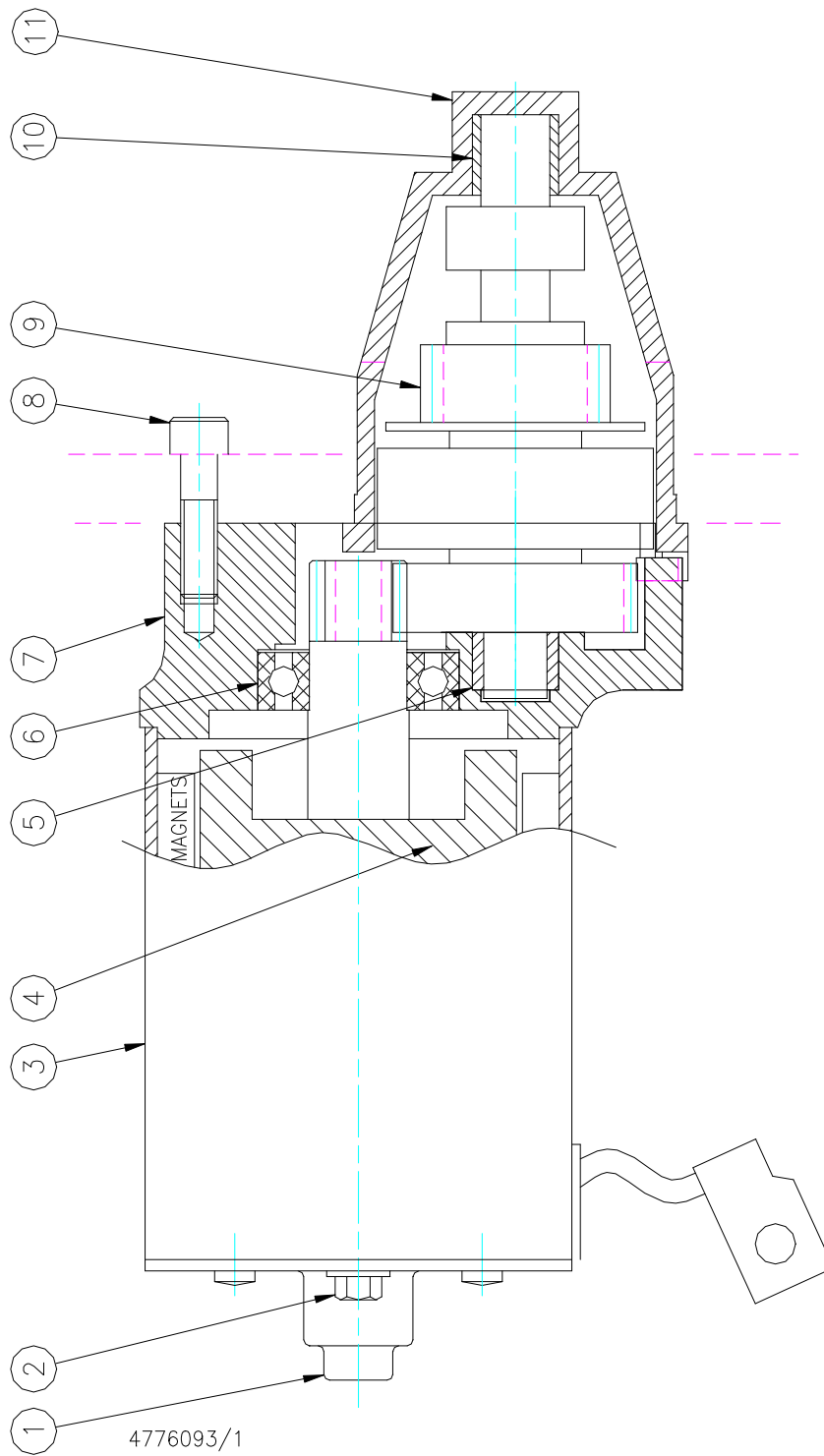
Jabiru 2200 Engine

Section K: STARTER MOTOR

ITEM	PART #	ISS	DESCRIPTION	QTY
1	PM0109N		BOSCH STARTER MOTOR	1
2	4776294	1	BOLT BOSCH STARTER MOTOR	2
3	4776394	1	CASE REWORKED STARTER MOTOR	1
4	4776494	1	STATOR MODIFIED	1
5	4063324	4	BUSH INNER	1
6			BEARING 6003-2RS	1
7	4776193	1	HOUSING BOSCH STARTER	1
8	PH0505N		SOCKET HD SCREW 1 X ¼ UNC	3
9	PM6352N		CLUTCH	1
10	4063224	3	BUSH OUTER - STARTER	1
11	4372253	1	CLUTCH HOUSING	1

From S/N 22A660 ON

Jabiru 2200 Engine



Section K - 4 - 1

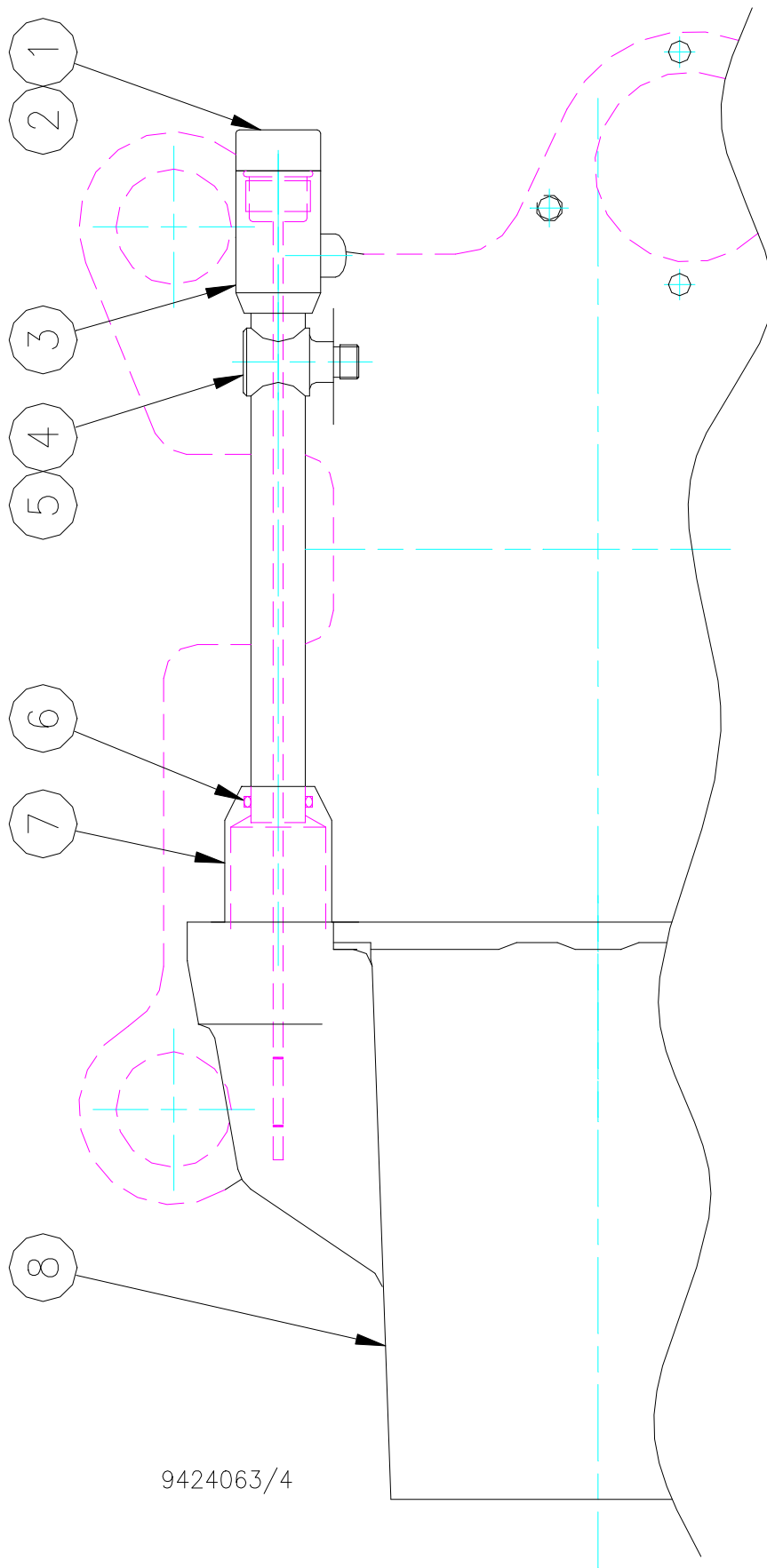
Jabiru 2200 Engine

Section L: SUMP DIPSTICK & BREATHER

ITEM	PART #	ISS	DESCRIPTION	QTY
1	4550064	2	DIPSTICK ASSY	1
2	PG10042N		`O'RING BS114V	1
3	4551064	1	HOUSING ASSY 16 MM to S/N 22A239	1
	4585064	1	HOUSING ASSY 19 MM from S/N 22A240	1
4	4552064	2	MOUNT ADAPTOR 16 MM to S/N 22A239	1
	4586064	3	MOUNT ADAPTOR 19 MM from S/N 22A240	1
5	PH0636N		GRUB SCREW 1/4 UNF X 1/4	1
6	PG10042N		`O'RING BS114V to S/N 22A239	1
	PG0148N		`O'RING BS116V from S/N 22A240	1
7	4549064	2	ADAPTOR SUMP 16 MM to S/N 22A239	1
	4587064	2	ADAPTOR SUMP 19 MM from S/N 22A240	1
8	4548062	1	SUMP	1
	4706082	1	SUMP (bottom drain)	1
	PH117434		SUMP PLUG	1
	PI10172N		TEMPERATURE SENDER	1

From S/N 22A225-22A287

Jabiru 2200 Engine



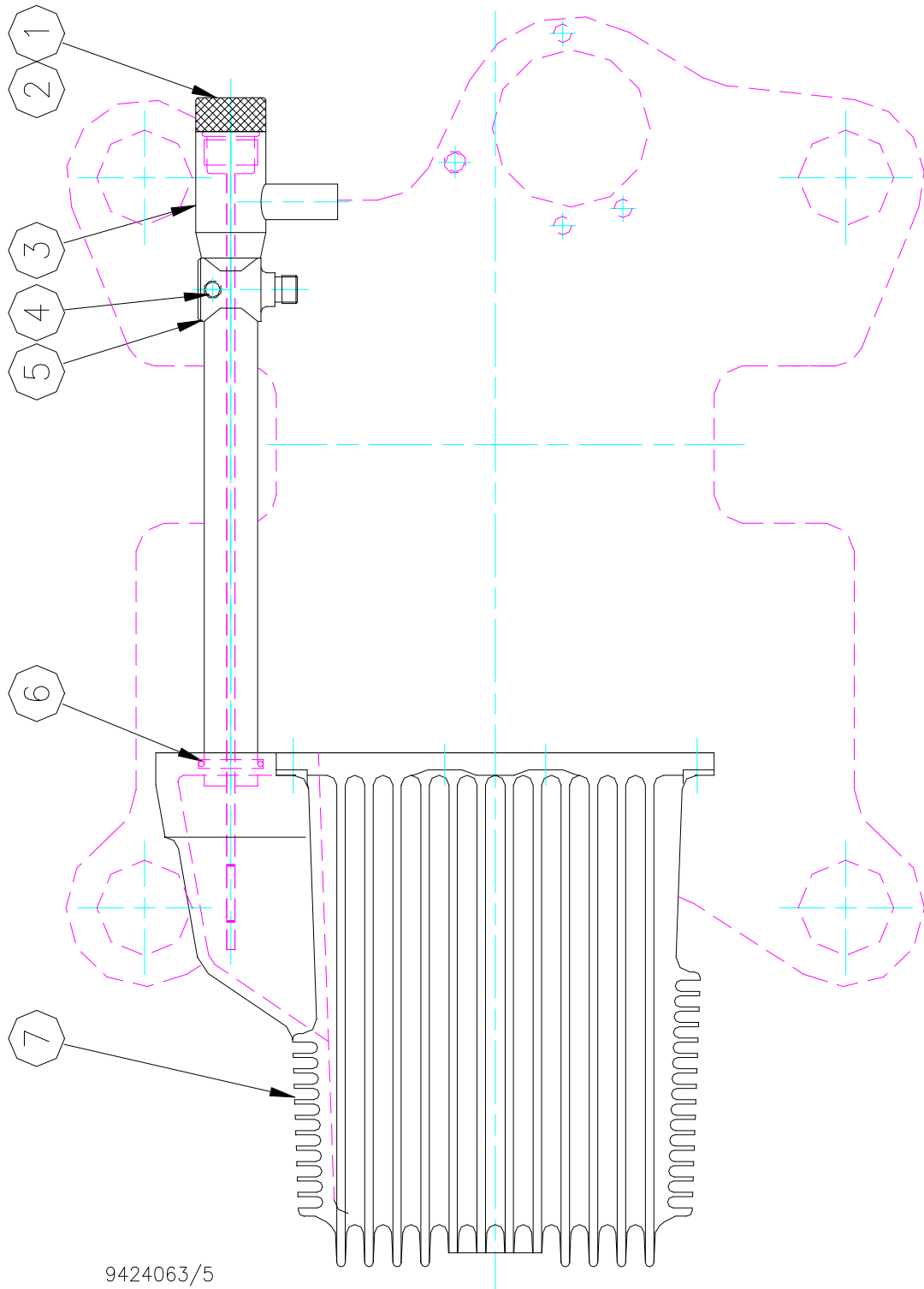
Section L - 2 - 2

Section L: SUMP DIPSTICK & BREATHER

ITEM	PART #	ISS	DESCRIPTION	QTY
1	4550064	2	DIPSTICK ASSY	1
2	PG10042N		`O'RING BS114V	1
3	4585064	1	HOUSING ASSY	1
4	PH0636N		GRUB SCREW 1/4 UNF X 1/4	1
5	4586064	2	MOUNT ADAPTOR	1
6	PG0148N		`O'RING BS116V	1
7	4765092	1	SUMP	1
	4791402	1	SUMP (bolt on induction)	1
	4823002	1	SUMP (bolt on induction narrow cooler)	1
	PH117434		SUMP PLUG	1
	PI10172N		TEMPERATURE SENDER	1

From S/N 22A288

Jabiru 2200 Engine



9424063/5

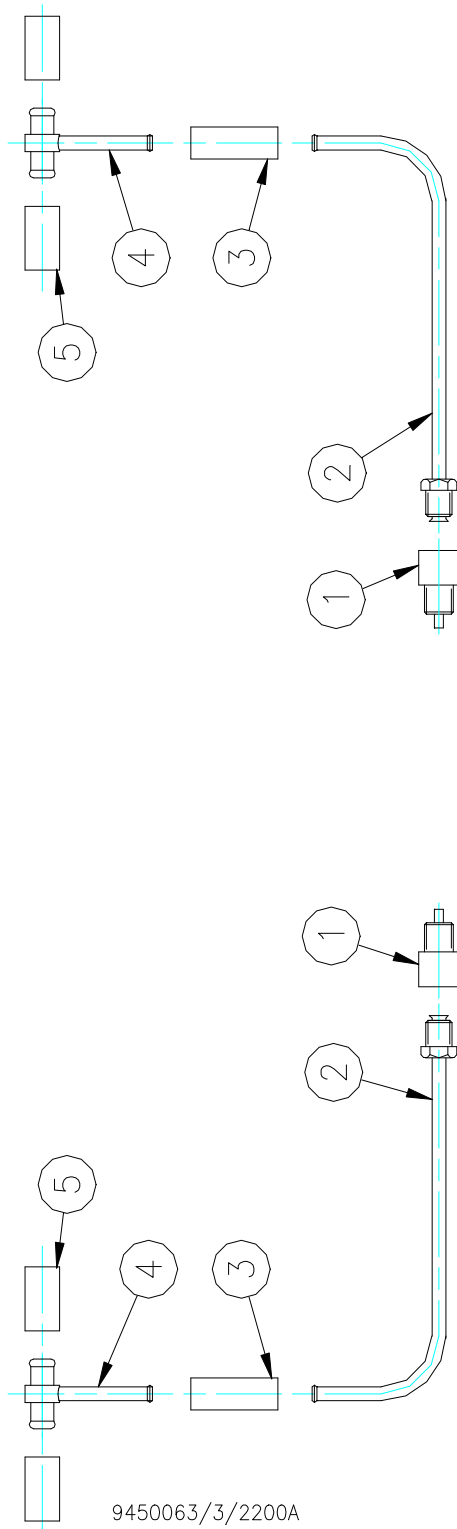
Section M: ROCKER LUBRICATION & VENTING

ITEM	PART #	ISS	DESCRIPTION	QTY
1	4563064	2	NIPPLE RRESTRICTED	2
2	4569064	2	OIL SUPPLY TUBE	2
3	454406N	1	HOSE SLEEVE	2
4	4568064	3	T ASSEMBLY ROCKER LUBE	2
5	454206N	1	HOSE SLEEVE	4

Not illustrated steel tube into head P/N 468618N 4 req'd.

To S/N 22A261

Jabiru 2200 Engine



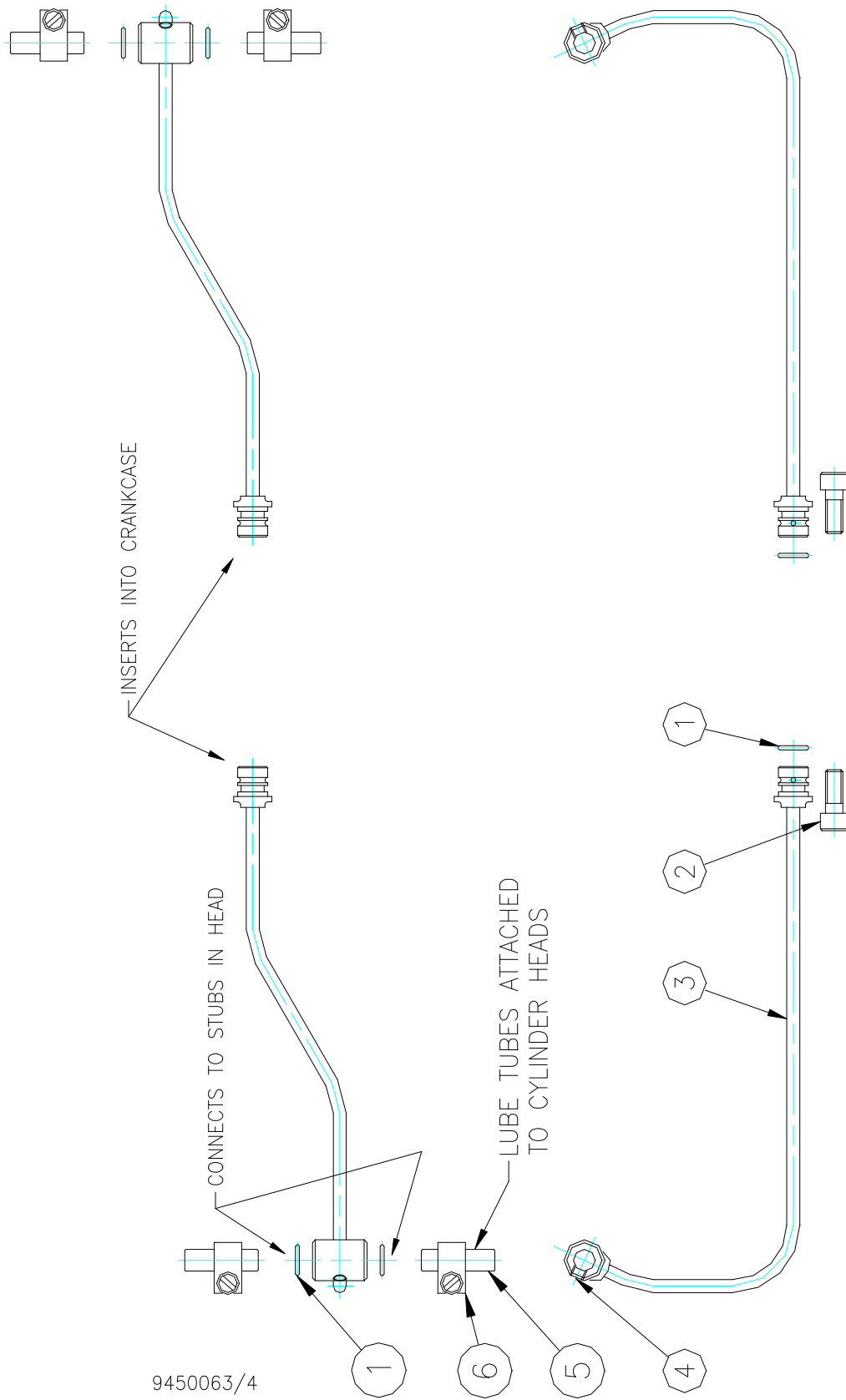
9450063/3/2200A

Section M: ROCKER LUBRICATION & VENTING

ITEM	PART #	ISS	DESCRIPTION	QTY
1	PG0127N		O'RING BS011V	6
2	PH72624		CAP SCREW ¼ UNC X ½	2
3	4640084	1	ROCKER LUBE TUBE ASSY	2
4	PH0819N		GRUB SCREW	2
5	4686284	1	LUBE TUBE 37 LONG	4
6	PZ0059N		HOSE CLAMP	4

From S/N 22A262 – 22A473

Jabiru 2200 Engine

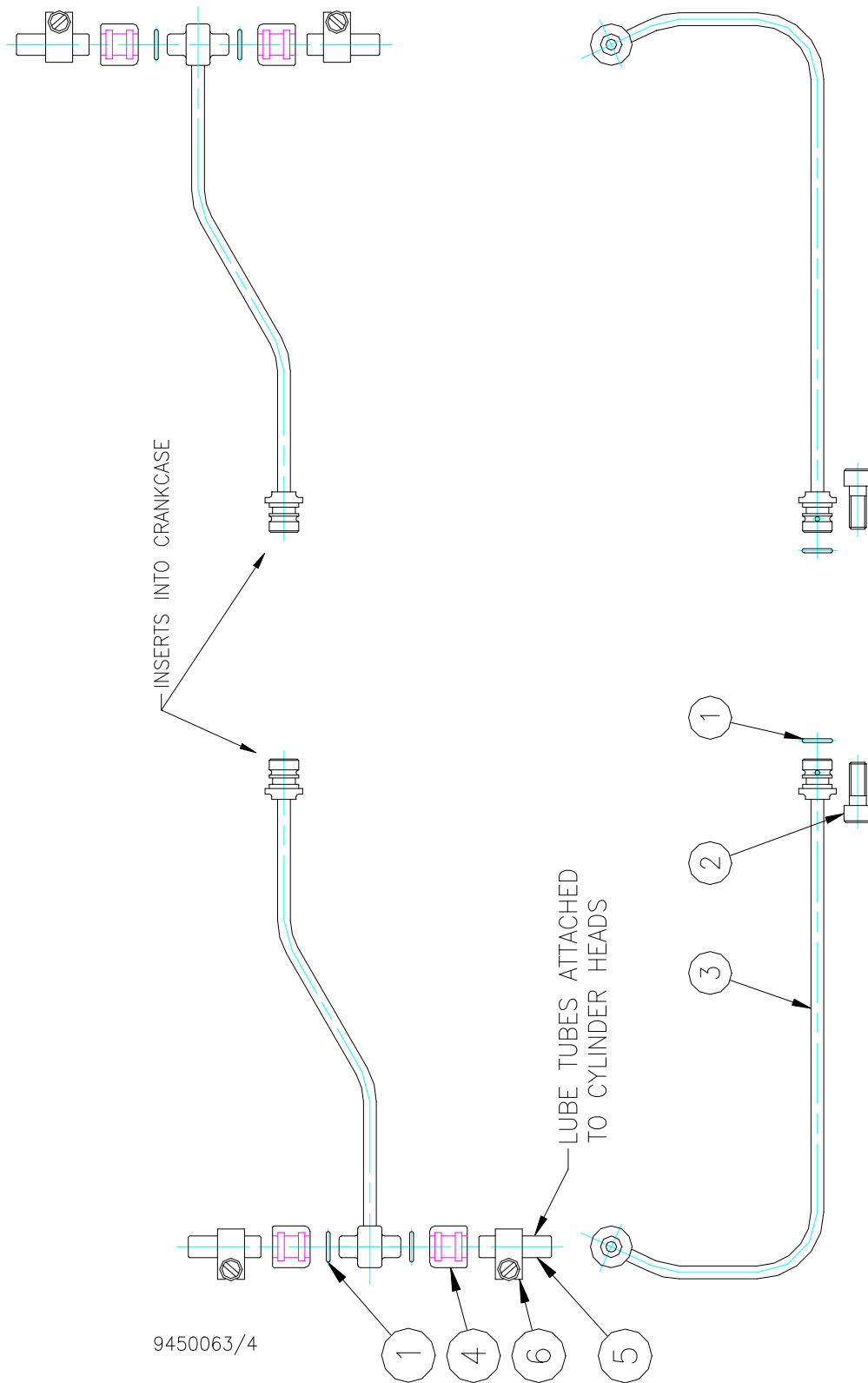


Section M: ROCKER LUBRICATION & VENTING

ITEM	PART #	ISS	DESCRIPTION	QTY
1	PG0127N		O'RING BS011V	10
2	PH72624		CAP SCREW ¼ UNC X ½	2
3	4710084	1	ROCKER LUBE TUBE ASSY	2
4	4703084	1	COLLAR ROCKER LUBE	4
5	4686084	1	LUBE TUBE 30.5 LONG	4
6	PZ0059N		HOSE CLAMP	4

From S/N 22A474 – 22A540

Jabiru 2200 Engine

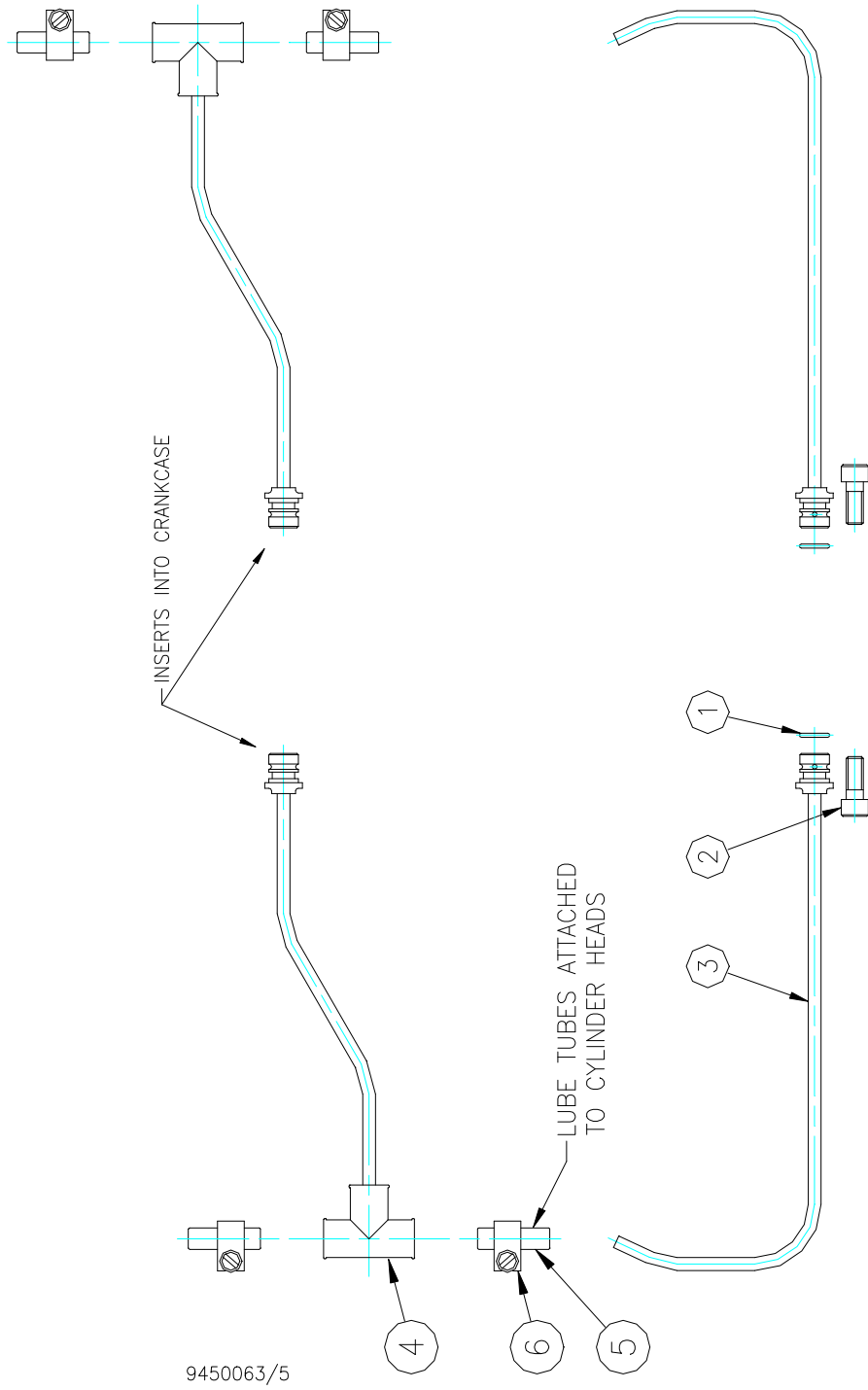


Section M: ROCKER LUBRICATION & VENTING

ITEM	PART #	ISS	DESCRIPTION	QTY
1	PG0127N		O'RING BS011V	2
2	PH72624		CAP SCREW ¼ UNC X ½	2
3	4761094	1	ROCKER LUBE TUBE ASSY	2
4	4722094	1	MOULDED 'T' ROCKER LUBE	2
5	4686084	1	LUBE TUBE 30.5 LONG	4
6	PZ0059N		HOSE CLAMP	6

From S/N 22A541 -

Jabiru 2200 Engine

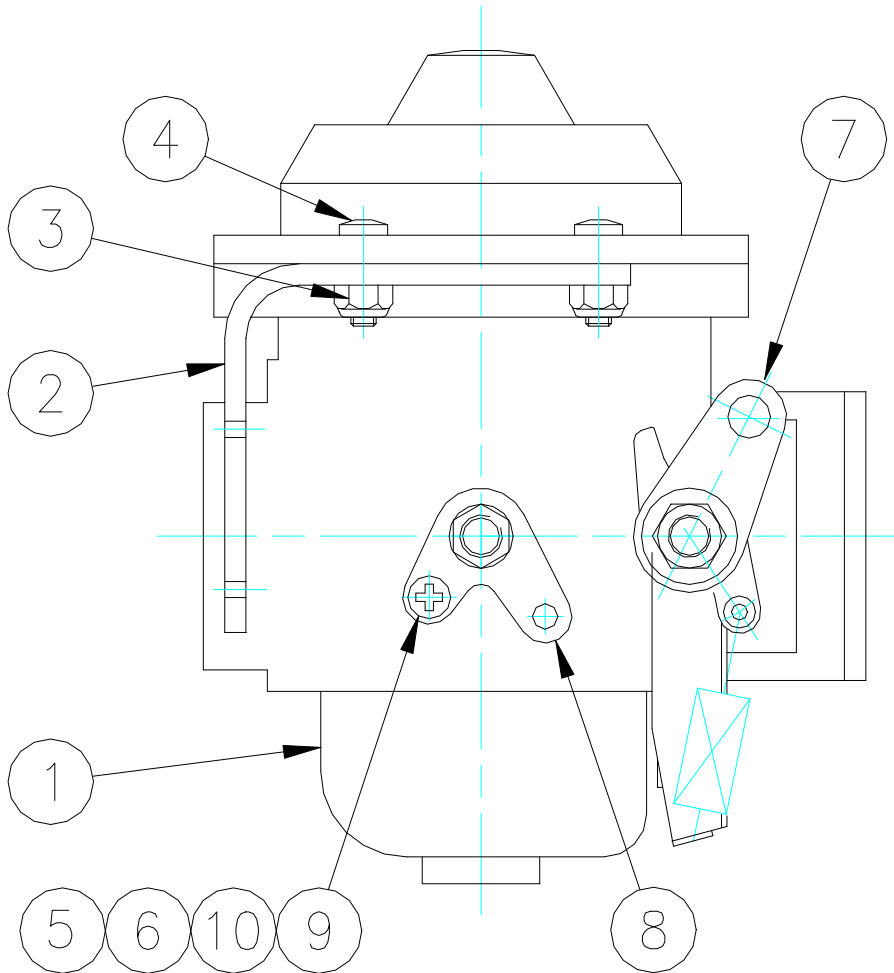


Jabiru 2200 Engine

Section N: CARBURETTOR ASSEMBLY

ITEM	PART #	ISS	DESCRIPTION	QTY
1	4624074		CARBURETTOR TO S/N22A698	1
	4886014		CARBURETTOR FROM S/N22A699	1
2	4116834	3	CABLE MOUNT	1
3	MS21042L3		HEX NUT	2
4	MS27039-1-12		MACHINE SCREW	2
5	PH0219N		FLAT WASHER	1
6	PH0767N		NUT	1
7	4783004	1	THROTTLE LEVER	1
8	4116634	1	CHOKE LEVER	1
9	AN960-10		WASHER	1
10	PH0757N		C'SUNK SCREW	1
	PG10412N		RUBBER COUPLING to S/N 22A698	1
	4691084	1	RUBBER COUPLING from S/N 22A699	1
	4774094	1	ADAPROR TO COUPLING from S/N 22A699	

Jabiru 2200 Engine



4624074/3

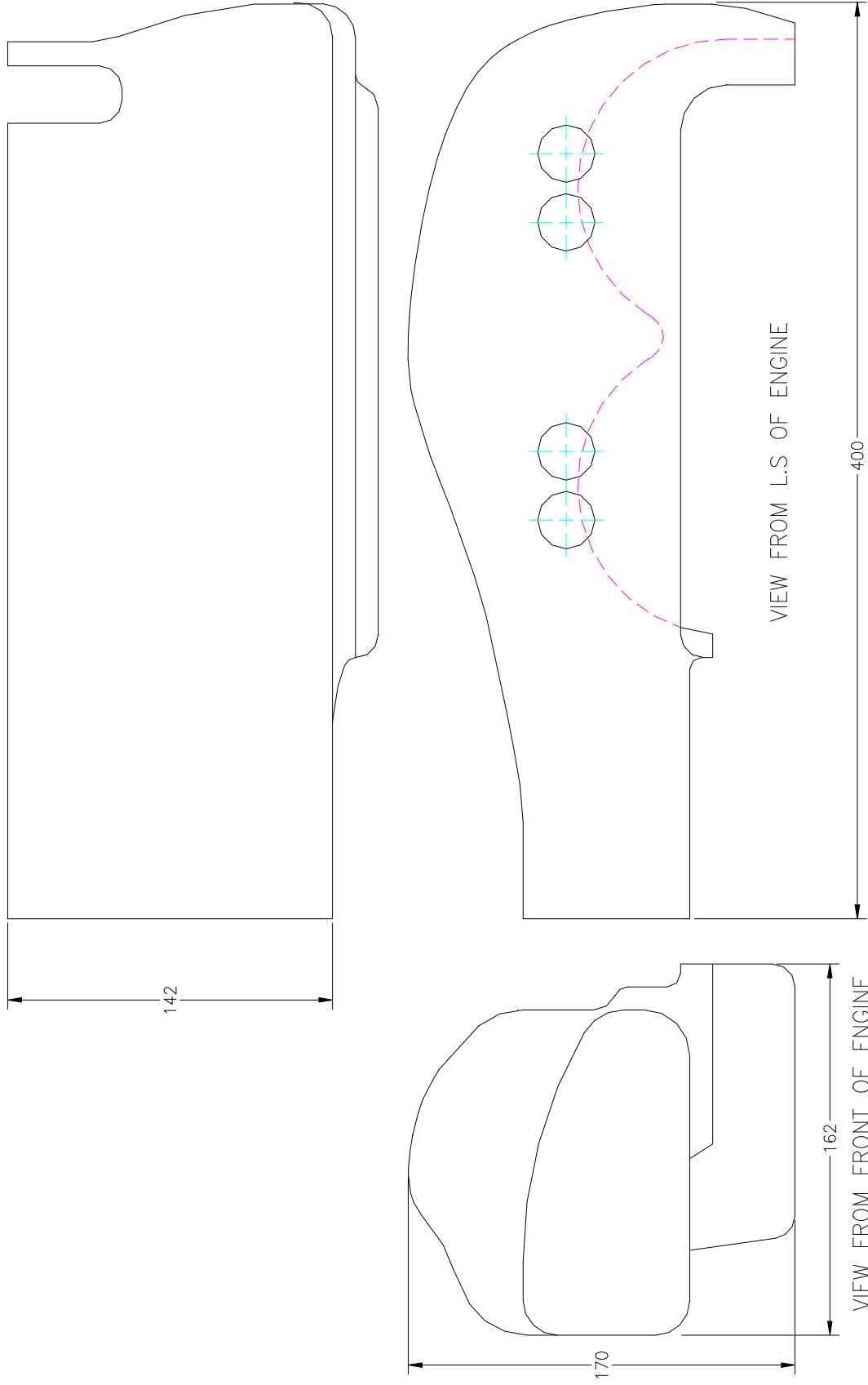
Section O: MISCELLANEOUS ELECTRICAL

ITEM	PART #	ISS	DESCRIPTION	QTY
	PI10652N		RECTIFIER / REGULATOR	1
	PI10662N		CABLE STARTER	1
	PI10672N		COUPLING CRIMP	1
	PI10682N		CABLE FITTING 5/16	1
	PI10692N		STARTER RELAY	1
	PI12497N		SOLENOID	1

Section P: AIR COOLING DUCTS

ITEM	PART #	ISS	DESCRIPTION	QTY
	4693083	1	AIR COOLING DUCT LS TRACTOR	1
	4694083	1	AIR COOLING DUCT RS TRACTOR	1
	481700N		RAM AIR DUCT PUSHER LS	1
	481800N		RAM AIR DUCT PUSHER RS	1
	C002103		RAM AIR DUCT KITFOX LS	1
	C002113		RAM AIR DUCT KITFOX RS	1
	481900N		RAM AIR DUCT KITFOX INSERT	2
	482000N		RAM AIR DUCT X-AIR & THRUSTER tractor	1
	PH0828N		WIRE LOOP ON BARREL x 1 metre	AS REQD
	PX00394		SPRING	2
	4615074		MOUNTING LUG - SPRING	2
	73AS4-6		RIVET	2
	PW0009N		RUBBER SEAL GROMMET	
	PH0900N		WASHER FLAT 1/8"	2
	PH72624		CAP SCREW 5/8 X 1/4 UNC	4
	PH11773N		BELVILE WASHER 1/4	4

Jabiru 2200 Engine



Jabiru 2200 Engine

Appendix for engines up to S/N 22A224

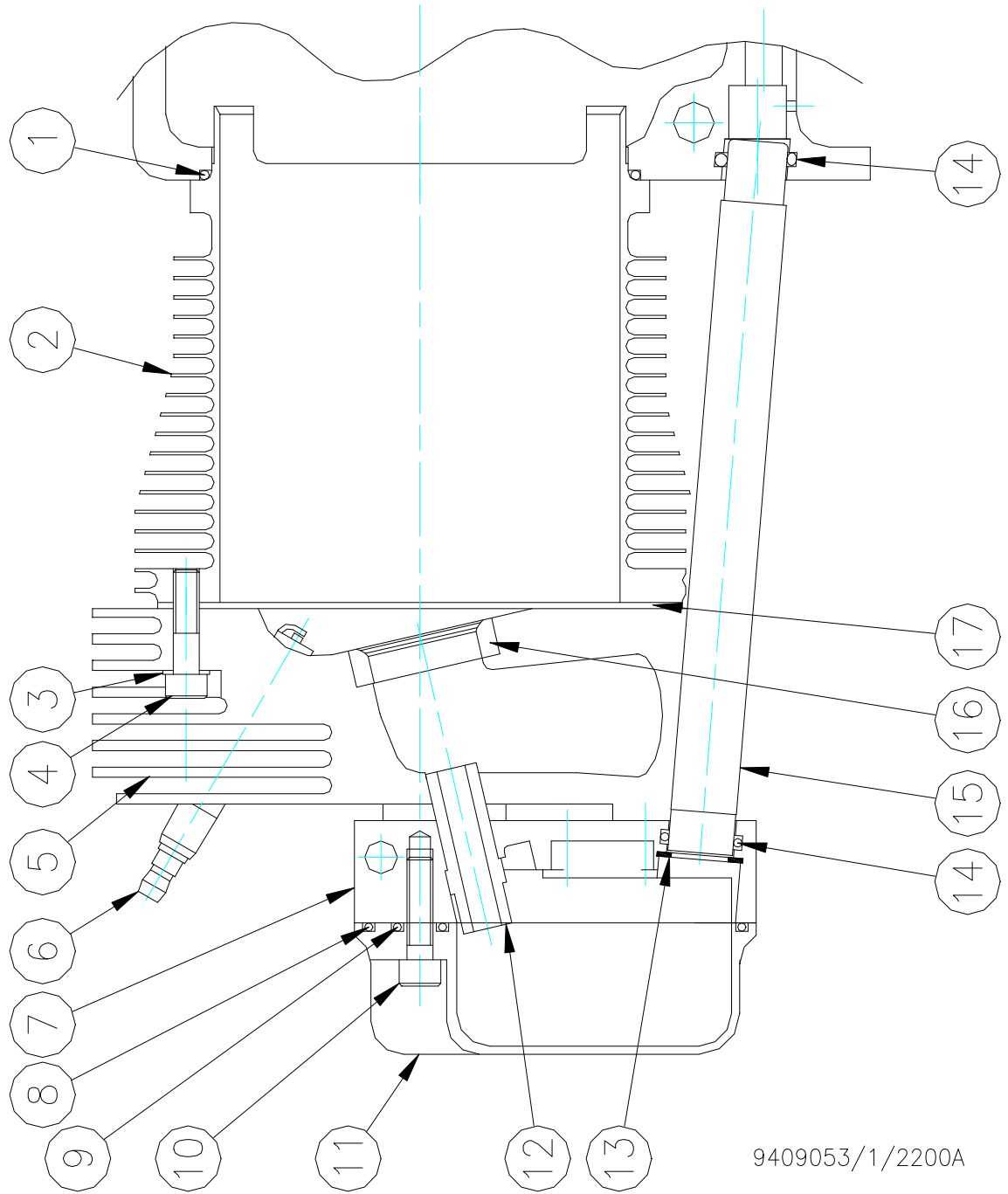
CYLINDER HEAD gasket no spigot S/N 22A001-22A106

ITEM	PART #	ISS	DESCRIPTION	QTY	Serial numbers
1	PG0025N		'O'RING	4	
2	4305052	1	BARREL	4	22A001-22A106
3	PH0666N		WASHER BELLVILLE	24	
	PH117534		WASHER THIN	8	
	4523064	1	WASHER THICK	12	
4	PH72E24		CAP SCREW 1 X 5/16 UNF	12	
	PH0485N		CAP SCREW 2 ¼ X 5/16 UNF	8	
			CAP SCREW 2 ½ X 5/16 UNF	8	
	PH0495N		BOLT 4 ½ X 5/16 UNF (cut to 105 lg)	4	
5	4306052	1	HEAD SMALL FINS #1 & 4	2	22A001-22A022
	430705N	1	HEAD SMALL FINS # 2 & 3	2	22A001-22A022
	4511062	3	HEAD LARGE FINS #1 & 4	2	22A023-22A106
	451206N	3	HEAD LARGE FINS # 2 & 3	2	22A023-22A106
6	PI10582N		SPARK PLUG	8	
7	4336053	1	MOUNT PLATE #1 & 4	2	22A001-22A022
	433705N	1	MOUNT PLATE #2 & 3	2	22A001-22A022
	4513063	3	MOUNT PLATE #1 & 4	2	22A023-22A106
	451406N	3	MOUNT PLATE #2 & 3	2	22A023-22A106
	PH71H24		C'sk SOCKET HD SCREW 5/8 X 1/4	8	
8	PG0015N		"O"RING	4	
9	PG9832N		'O'RING	4	
10	PH0505N		CAP SCREW 1 X ¼ UNC	8	
11	4338053	3	ROCKER COVER	4	
12	4357054	2	VALVE GUIDE	8	22A001-22A022
	4518064	5	VALVE GUIDE	4	22A023-22A106
	4519064	4	VALVE GUIDE	4	22A023-22A106
13	PH0515N		CIRCLIP (20 int)	8	
14	PG10042N		'O'RING	16	
15	4346054	6	TUBE PUSH ROD COVER	8	
16	4353054	2	VALVE SEAT INLET	4	
	4354054	2	VALVE SEAT EXHAUST	4	
17	4310054	1	HEAD GASKET	4	

Cylinder Head Assemblies available incorporating:
 Cylinder Head
 Valve guides
 Valve guide and rocker mount
 Valve seat inserts

Note: Oversize valve guides available, use the standard P/N & specify 0.05, 0.10, 0.15
 oversize. Identification is by 1, 2, or 3 dimples on exposed diameter when fitted to
 assembled head.

Jabiru 2200 Engine



Jabiru 2200 Engine

Appendix for engines up to S/N 22A224

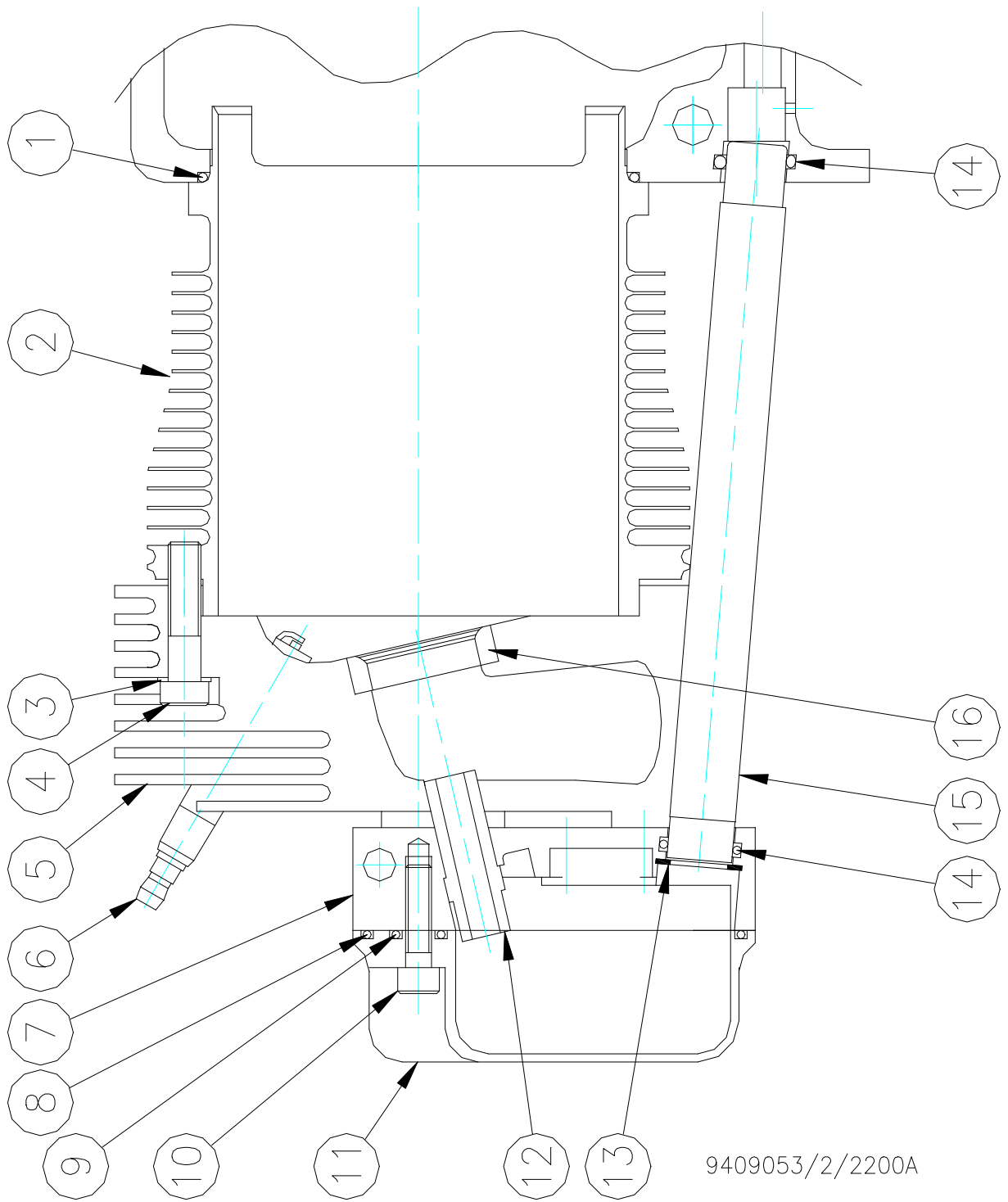
CYLINDER HEAD no gasket S/N 22A107-22A224

ITEM	PART #	ISS DESCRIPTION	QTY	Serial Numbers
1	PG0025N	'O'RING	4	ALL
2	4554062	6 BARREL	4	22A107-22A224 & 55, 56. 70-74, 78-85, 94, 99, 100
3	PH0666N	WASHER BELLEVILLE	24	
	PH117534	WASHER THIN	8	
	4523064	1 WASHER THICK	12	
4	PH72E24	CAP SCREW 1 X 5/16 UNF	12	
	PH0485N	CAP SCREW 2 ¼ X 5/16 UNF	8	
	PH0495N	BOLT 4 ½ X 5/16 UNF cut to 105 lg	4	
5	4555062	3 HEAD LARGE FINS SPIGOTED #1&4	2	22A107-22A224 & 55, 56. 70-74, 78-85, 94, 99, 100
	455606N	3 HEAD LARGE FINS SPIGOTED #2&3	2	22A107-22A224 & 55, 56. 70-74, 78-85, 94, 99, 100
6	PI10582N	SPARK PLUG	8	
7	4513063	3 MOUNT PLATE #1 & 4	2	
	451406N	3 MOUNT PLATE #2 & 3	2	
8	PG0015N	"O"RING	4	
9	PG9832N	'O'RING	4	
10	PH0505N	CAP SCREW 1 X ¼ UNC	8	
11	4338053	3 ROCKER COVER	4	
12	4518064	5 VALVE GUIDE	4	
	4519064	4 VALVE GUIDE	4	
13	PH0515N	CIRCLIP (20 int)	8	
14	PG10042N	'O'RING	16	
15	4346054	6 TUBE PUSH ROD COVER	8	
16	4353054	2 VALVE SEAT INLET	4	
	4354054	2 VALVE SEAT EXHAUST	4	

Cylinder Head Assemblies available incorporating:
 Cylinder Head
 Valve guides
 Valve guide and rocker mount
 Valve seat inserts

Note: Oversize valve guides available, use the standard P/N & specify 0.05, 0.10, 0.15
 oversize. Identification is by 1, 2, or 3 dimples on exposed diameter when fitted to
 assembled head.

Jabiru 2200 Engine



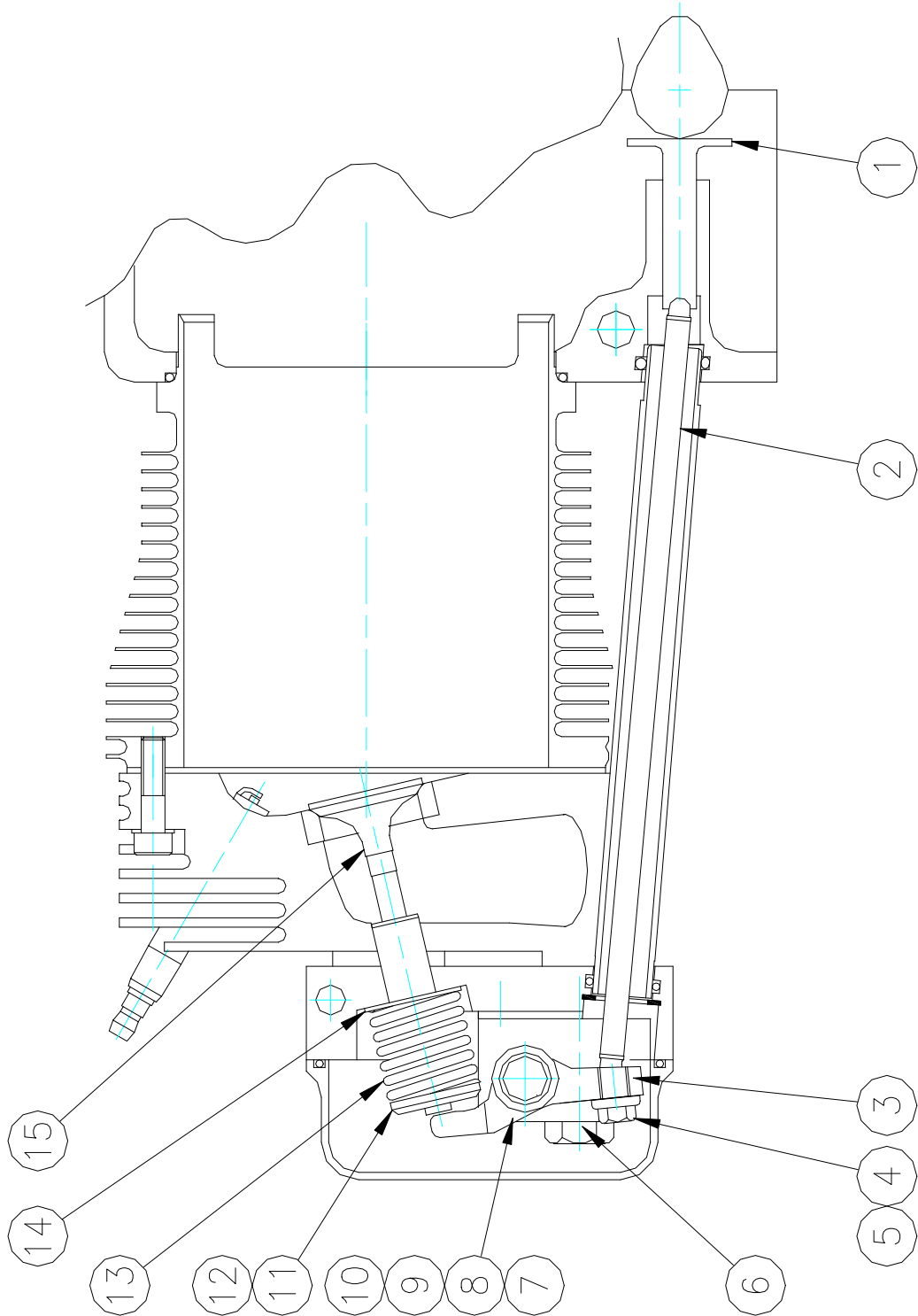
Jabiru 2200 Engine

Appendix for engines up to S/N 22A224

VALVE ASSEMBLY

ITEM	PART #	ISS	DESCRIPTION	QTY	Serial Numbers
1	PG92324		VALVE LIFTER	8	ALL
2	4373054	2	PUSH ROD	8	ALL
3	4516064	2	ROCKER 10mm WIDE	8	22A01-22A188
	4600074	2	ROCKER 12mm WIDE	8	22A01-22A188
	4591074	2	ROCKER 12mm WIDE #1 LS	4	22A189-22A224
	459207N	2	ROCKER 12mm WIDE #1 RS	4	22A189-22A224
	4762094		ROCKER 15mm WIDE #1 LS	4	
	4763094		ROCKER 15mm WIDE # 1 RS	4	
4	MS21042L5		LOCK NUT 5/16	8	22A01-22A188
	MS21042L6		LOCK NUT 3/8	8	22A189-22A224
5	4131834	4	ADJUSTING SCREW	8	22A01-22A188
	4593074	5	ADJUSTING SCREW	8	22A189-22A224
6	4515064	4	MOUNT ROCKER PIVOT	4	22A01-22A188
	4623074	2	MOUNT ROCKER PIVOT	4	22A189-22A224
			BOLT	4	ALL
7	4340054	3	ROCKER SHAFT	4	22A01-22A188
	4594074	3	ROCKER SHAFT	4	22A189-22A224
8	PG7201N		CIRCLIP	8	ALL
9	4375054	3	BUSH INNER	8	22A01-22A188
	437605N	2	BUSH OUTER	8	22A01-22A188
	PB0035N		BUSH	8	22A189-22A224
10	4131A34	2	THRUST WASHER	8	ALL
11	4349054	2	TOP VALVE WASHER EXHAUST	4	ALL
	4517064	3	TOP VALVE WASHER INLET	4	ALL
	4604074	2	TOP SPRING WASHER	8	
12			COLLET SINGLE GROOVE	16	
	4605074		COLLET TRIPPLE GROOVE	16	
13	PG71E24		VALVE SPRING	8	ALL
14	4350054	3	BOTTOM SPRING SEAT	8	ALL
15			VALVE INLET SINGLE GROOVE 36 DIA	4	
			VALVE EXHAUST SINGLE GROOVE 31 DIA	4	
	4351054	2	VALVE INLET TRIPPLE GROOVE 36 DIA	4	
	4352054	2	VALVE EXHAUST TRIPPLE GROOVE 31 DIA	4	
	4595074	1	VALVE INLET TRIPPLE GROOVE 41 DIA	4	
	4596074	1	VALVE EXHAUST TRIPPLE GROOVE 33 DIA	4	

Jabiru 2200 Engine



9412053/1

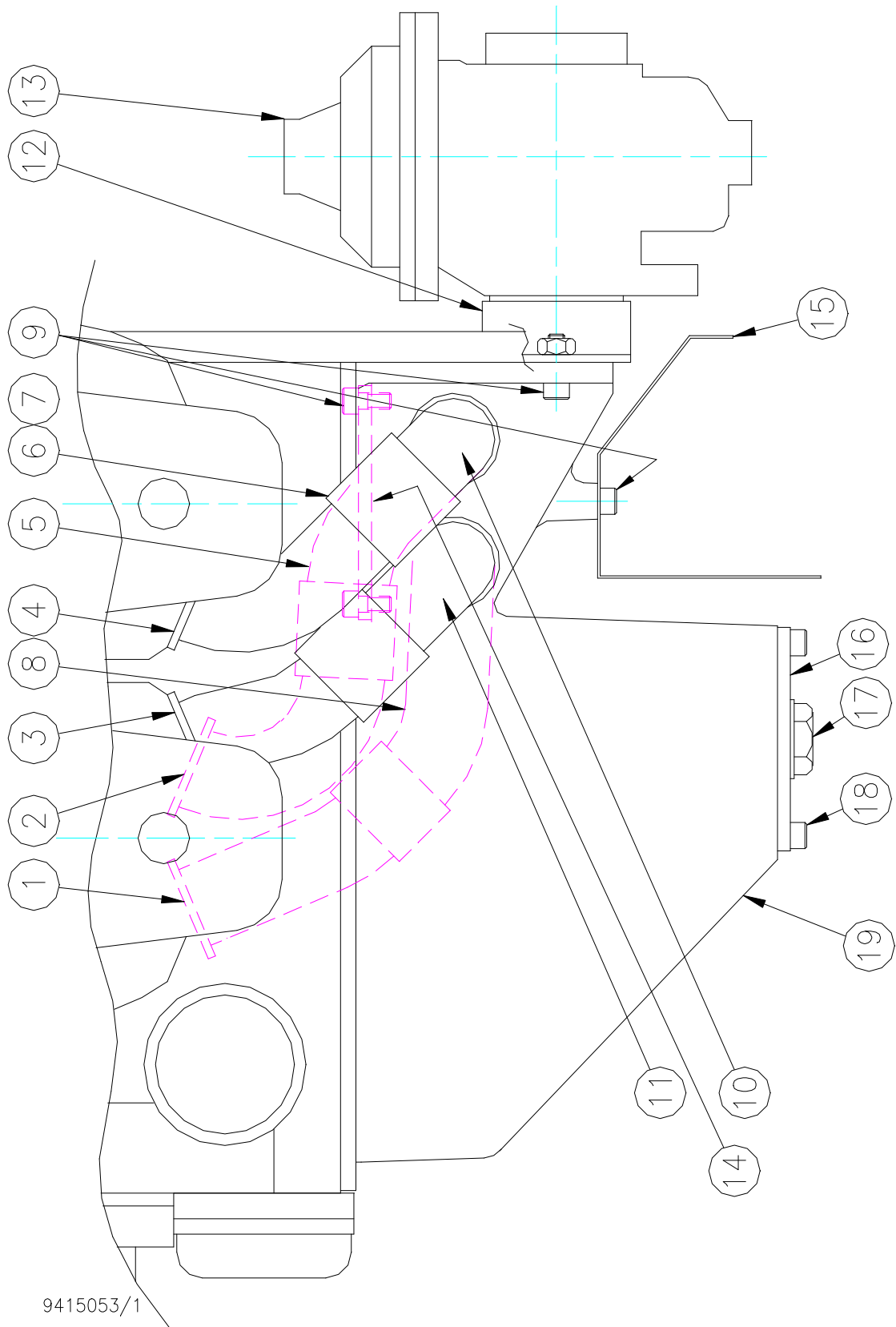
Jabiru 2200 Engine

Appendix for engines up to S/N 22A224

INDUCTION & SUMP up to S/N 22A224

ITEM	PART #	ISS	DESCRIPTION	QTY
1	4392053	2	INDUCTION PIPE #1 TOP	1
	4109824	2	GASKET	4
	PH72624		CAP SCREW 5/8 X ¼ UNC	12
2	4393053	2	INDUCTION PIPE #3 TOP	1
3	4394053	2	INDUCTION PIPE #2 TOP	1
4	4395053	2	INDUCTION PIPE #4 TOP	1
5	4396053	2	INDUCTION PIPE #3 BOTTOM	1
6	PV102924		HOSE INDUCTION	4
7	PG102924		CLAMP	8
8	4397053	2	INDUCTION PIPE #1 BOTTOM	1
9	PH72724		CAP SCREW 5/8 X ¼ UNC	6
	PG10332N		FUEL PUMP	1
	2650-8FG		FIRE SLEEVE	0.35
	PT0019N		FUEL HOSE	0.35
	PZ0059N		CLAMP	2
10	4398053	2	INDUCTION PIPE #4 BOTTOM	1
	PG10212N		'O'RING	4
11	4399053	2	INDUCTION PIPE #2 BOTTOM	1
12	PG10412N		ADAPTOR FLANGE	1
13	PG12003N		CARBURETTOR ASSY	1
14	4283044	3	COVER PLATE AIR INDUCTION	1
15			HEAT SHIELD	1
16			SUMP COVER PLATE	1
17	PH117434		SUMP PLUG	1
18	PH72724		CAP SCREW 5/8 X ¼ UNC	4
19			SUMP	1

Jabiru 2200 Engine



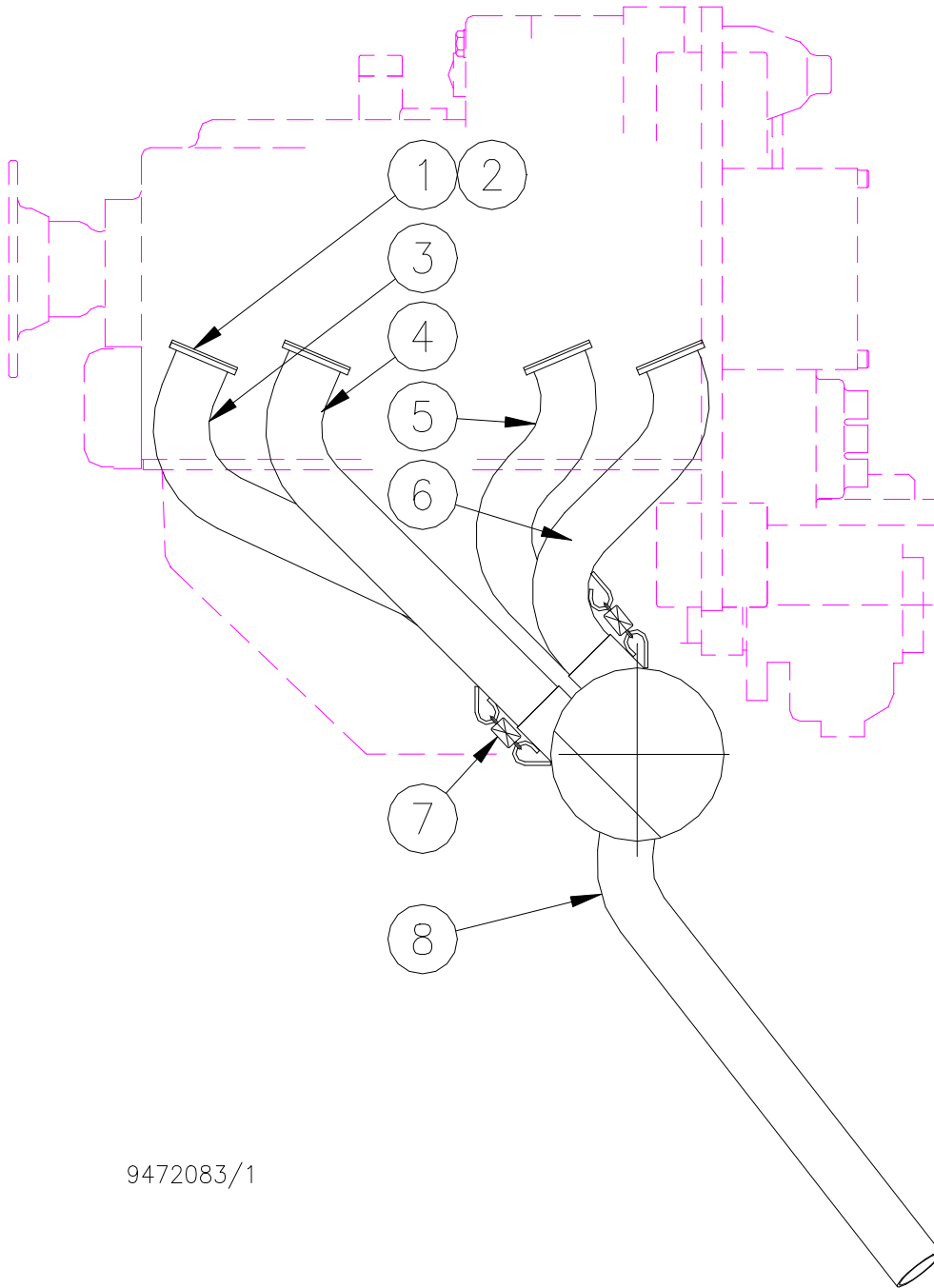
Jabiru 2200 Engine

Appendix for engines up to S/N 22A224

EXHAUST & MUFFLER – TRACTOR

ITEM	PART #	ISS	DESCRIPTION	QTY	
1	4086124	3	FLANGE INLET & EXHAUST PIPE	4	NSS
2	4103224	2	GASKET EXHAUST PIPE	4	
	PH72624		CAP SCREW 5/8 X 1/4 UNC	12	
3	4500053	1	EXHAUST PIPE #1	1	
4	4501053	1	EXHAUST PIPE #2	1	
5	4502053	1	EXHAUST PIPE #3	1	
6	4503053	1	EXHAUST PIPE #4	1	
7	PE01094	1	SPRING EXHAUST	4	
8	4504053	1	MUFFLER ASSY	1	

Jabiru 2200 Engine



9472083/1

Jabiru 2200 Engine

Appendix for engines up to S/N 22A224

AIR COOLING DUCTS

ITEM	PART #	ISS	DESCRIPTION	QTY
	4616073	1	AIR COOLING DUCT L.S.	1
	4617073	1	AIR COOLING DUCT R.S.	1
			WIRE LOOP ON BARREL	AS REQD
			SPRING	2
	4615074	1	MOUNTING LUG - SPRING	2

Jabiru 2200 Engine

